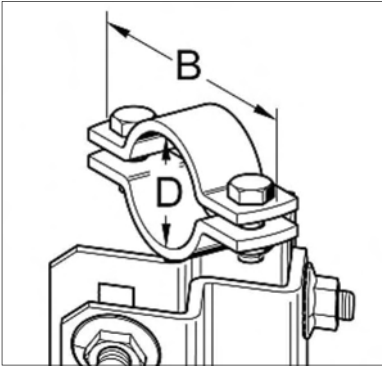


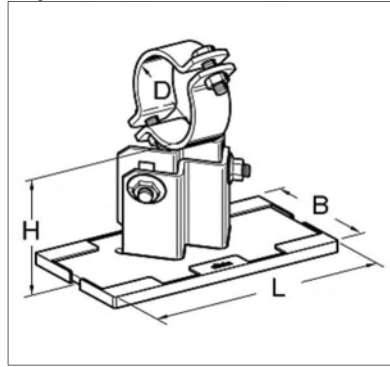
Pipe Shoes

Measurements and Centerline-Heights

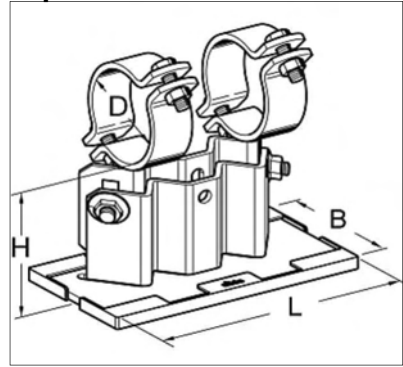
Measurements



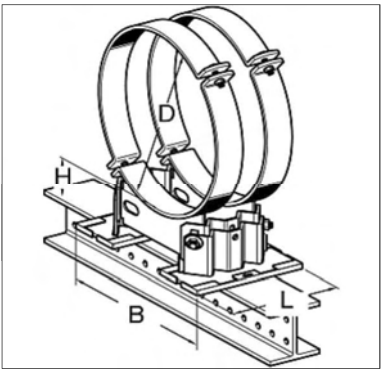
Pipe Shoe LA - HV



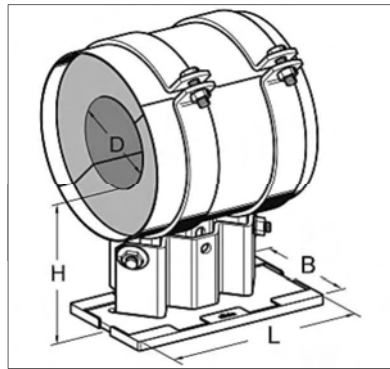
Pipe Shoe LC - HV



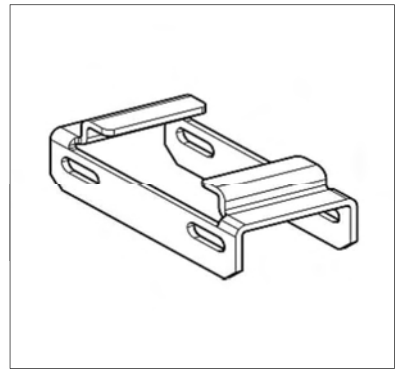
Pipe Shoe LD - HV



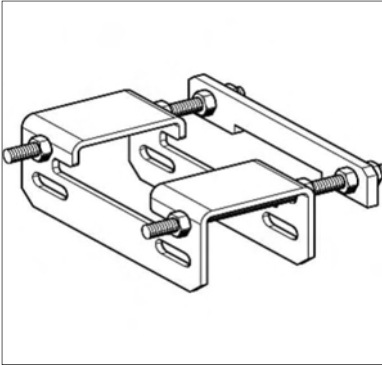
Pre-Insulated Pipe Shoe LK-HV



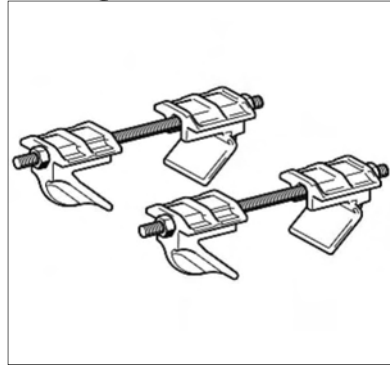
Guiding Bracket FW F



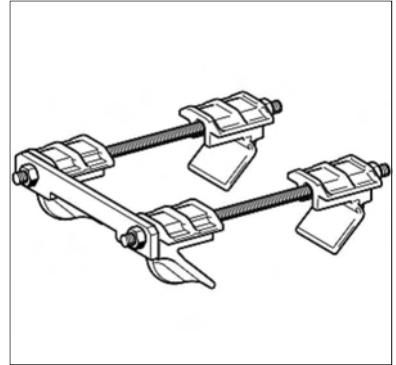
Fixed Point Bracket XW F



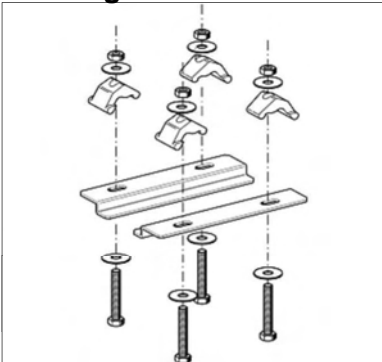
Guiding Set FS



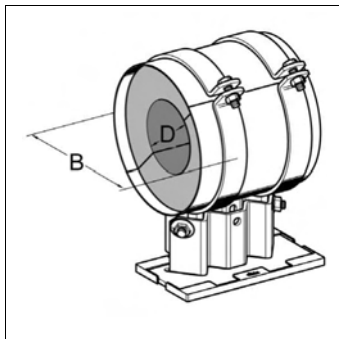
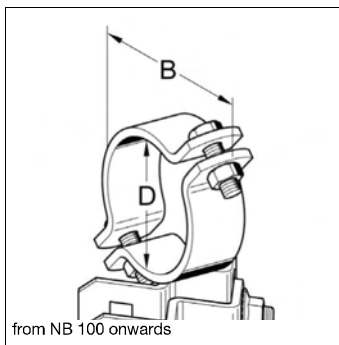
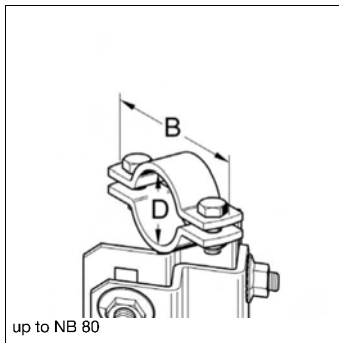
Fixed Point Set XS



Guiding Set FS Z



Measurements and Centerline-Heights



Measurements

Supports without insulation insert

a) imperial measurements

Pipe NB	NPS	Pipe Clamp B [in]	Pipe Clamp Material [in]	Hex. bolts
15	1/2"	3 3/8"	1 3/16" x 1/5"	3/8" x 1 1/2"
20	3/4"	3 3/8"	1 3/16" x 1/5"	3/8" x 1 1/2"
25	1"	4"	1 3/16" x 1/5"	3/8" x 1 1/2"
32	1 1/4"	4 2/5"	1 3/16" x 1/5"	3/8" x 1 1/2"
40	1 1/2"	4 3/5"	1 3/16" x 1/5"	3/8" x 1 1/2"
50	2"	5 1/2"	1 9/16" x 1/5"	1/2" x 1 3/4"
65	2 1/2"	6 1/5"	1 9/16" x 1/5"	1/2" x 1 3/4"
80	3"	6 3/5"	1 9/16" x 1/5"	1/2" x 1 3/4"
100	4"	6 1/2"	2" x 1/5"	1/2" x 2"
125	5"	7 1/5"	2" x 1/5"	1/2" x 2"
150	6"	8 1/2"	2" x 5/16"	1/2" x 2 1/4"
200	8"	10"	2" x 5/16"	1/2" x 2 1/2"
250	10"	12"	2 2/5" x 5/16"	5/8" x 2 1/2"
300	12"	13 3/5"	2 2/5" x 5/16"	5/8" x 2 1/2"
350	14"	14 3/4"	2 2/5" x 5/16"	5/8" x 2 1/2"
400	16"	16 3/5"	2 3/4" x 5/16"	5/8" x 2 1/2"
500	20"	20 3/5"	2 3/4" x 5/16"	5/8" x 2 1/2"
600	24"	24 3/5"	2 3/4" x 5/16"	5/8" x 2 1/2"

b) metric measurements

Pipe NB	NPS	Pipe D [mm]	Pipe Clamp B [mm]	Pipe Clamp Material [mm]	Hex. bolts
15	1/2"	22	85	30 x 5	M10 x 40
20	3/4"	27	92	30 x 5	M10 x 40
25	1"	34	100	30 x 5	M10 x 40
32	1 1/4"	43	111	30 x 5	M10 x 40
40	1 1/2"	49	117	30 x 5	M10 x 40
50	2"	61	139	40 x 5	M12 x 45
65	2 1/2"	77	156	40 x 5	M12 x 45
80	3"	89	168	40 x 5	M12 x 45
100	4"	115	165	50 x 5	M12 x 50
125	5"	140	183	50 x 5	M12 x 50
150	6"	169	215	50 x 8	M12 x 55
200	8"	220	252	50 x 8	M12 x 55
250	10"	273	306	60 x 8	M16 x 65
300	12"	324	347	60 x 8	M16 x 65
350	14"	356	375	60 x 8	M16 x 65
400	16"	407	423	70 x 8	M16 x 65
500	20"	508	524	70 x 8	M16 x 65
600	24"	610	626	70 x 8	M16 x 65

Measurements and Centerline-Heights

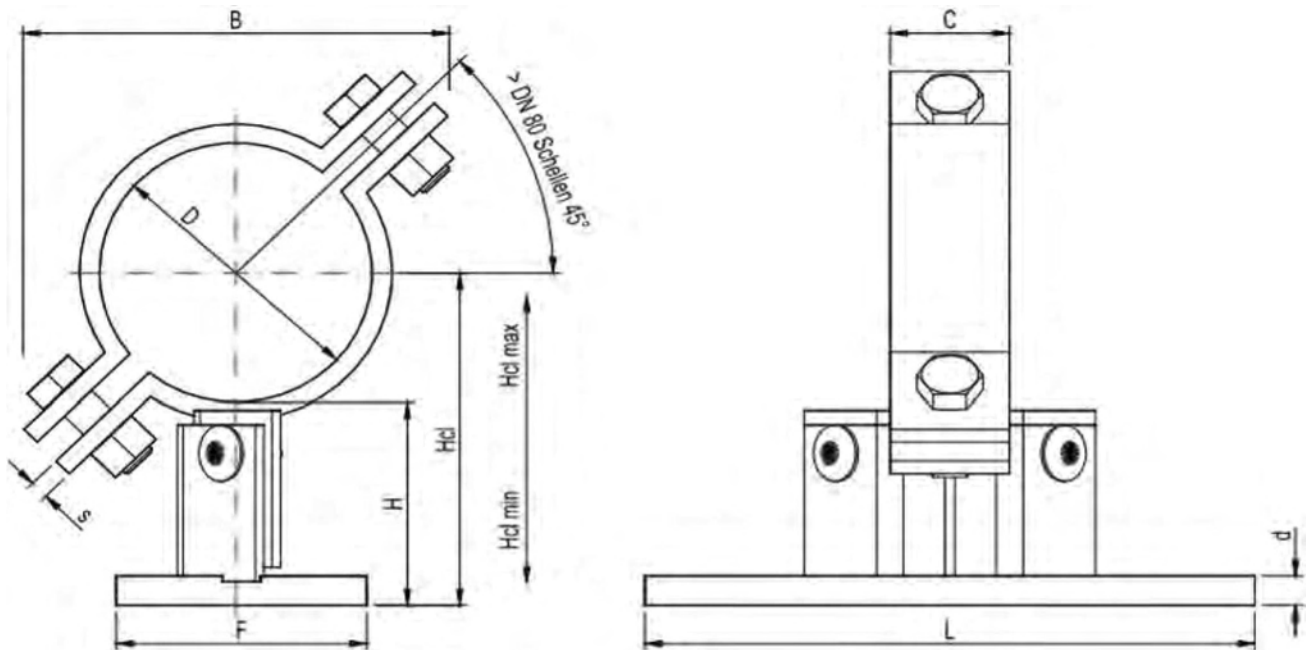
Pipe NB	Pipe NPS	Insulation Thickness [in]	Insulation Length [in]	Pipe Clamp B [in]	Pipe Clamp Material [in]	Hex. bolts
25	1"	2"	3 ¹⁵ / ₁₆ "	7 ¹ / ₁₆ "	2" x ¹ / ₅ "	¹ / ₂ " x 2"
32	1 ¹ / ₄ "	2"	3 ¹⁵ / ₁₆ "	7 ³ / ₈ "	2" x ¹ / ₅ "	¹ / ₂ " x 2"
40	1 ¹ / ₂ "	2"	3 ¹⁵ / ₁₆ "	7 ¹ / ₂ "	2" x ¹ / ₅ "	¹ / ₂ " x 2"
50	2"	2"	3 ¹⁵ / ₁₆ "	7 ³ / ₁₆ "	2" x ¹ / ₅ "	¹ / ₂ " x 2"
65	2 ¹ / ₂ "	2 ² / ₅ "	3 ¹⁵ / ₁₆ "	9 ⁵ / ₁₆ "	2" x ⁵ / ₁₆ "	¹ / ₂ " x 2 ¹ / ₄ "
80	3"	2 ² / ₅ "	3 ¹⁵ / ₁₆ "	9 ⁵ / ₈ "	2" x ⁵ / ₁₆ "	¹ / ₂ " x 2 ¹ / ₄ "
100	4"	2 ² / ₅ "	7 ⁷ / ₈ "	10 ¹⁵ / ₁₆ "	2" x ⁵ / ₁₆ "	⁵ / ₈ " x 2 ² / ₅ "
125	5"	2 ² / ₅ "	7 ⁷ / ₈ "	11 ⁵ / ₈ "	2" x ⁵ / ₁₆ "	⁵ / ₈ " x 2 ² / ₅ "
150	6"	2 ² / ₅ "	7 ⁷ / ₈ "	12 ⁹ / ₁₆ "	2 ² / ₅ " x ⁵ / ₁₆ "	⁵ / ₈ " x 2 ¹ / ₂ "
200	8"	2 ² / ₅ "	7 ⁷ / ₈ "	14 ⁵ / ₁₆ "	2 ² / ₅ " x ⁵ / ₁₆ "	⁵ / ₈ " x 2 ¹ / ₂ "
250	10"	2 ² / ₅ "	7 ⁷ / ₈ "	16 ¹ / ₄ "	2 ² / ₅ " x ⁵ / ₁₆ "	⁵ / ₈ " x 2 ¹ / ₂ "
300	12"	3 ¹ / ₈ "	7 ⁷ / ₈ "	19 ¹³ / ₁₆ "	2 ³ / ₄ " x ⁵ / ₁₆ "	⁵ / ₈ " x 2 ¹ / ₂ "

b) metric measurements

Pipe NB	Pipe D [mm]	Insulation Thickness [mm]	Insulation Length [mm]	Pipe Clamp B [mm]	Pipe Clamp Material [mm]	Hex. bolts
25	33.7	50	100	180	50 x 5	M12 x 50
32	42.4	50	100	187	50 x 5	M12 x 50
40	48.3	50	100	190	50 x 5	M12 x 50
50	60.3	50	100	199	50 x 5	M12 x 50
65	76.1	60	100	237	50 x 8	M12 x 55
80	88.9	60	100	245	50 x 8	M12 x 55
100	114.3	60	200	278	50 x 8	M16 x 60
125	139.7	60	200	295	50 x 8	M16 x 60
150	168.3	60	200	319	60 x 8	M16 x 65
200	219.1	60	200	363	60 x 8	M16 x 65
250	273.0	60	200	412	60 x 8	M16 x 65
300	323.9	80	200	503	70 x 8	M16 x 65

Pipe Shoes

Measurements and Centerline-Height



Sikla Pipe Shoe Type: **LA-HV 90**

Type	Height H as delivered [mm]	Height H Range [mm]
LA-HV 90	90	88,... 113,5

Measurements:

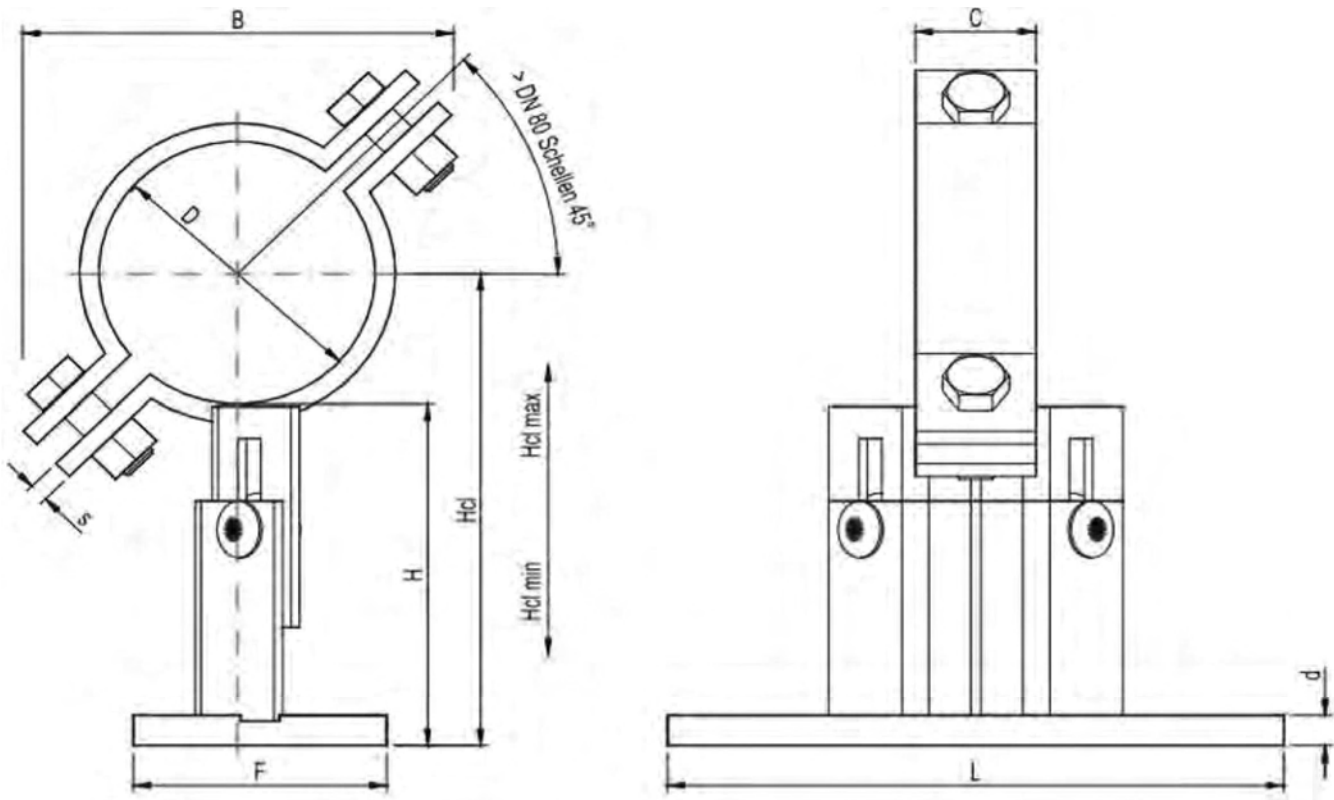
Metal plate: L = 250 mm x F = 100 mm x d = 8 mm

Slide plate incl.: L = 256 mm x F = 105 mm x d = 13 mm

Type	D (Pipe) [mm]	H _{CL} [mm]	H _{CL min} [mm]	H _{CL max} [mm]	B [mm]	C [mm]	s [mm]
LA-HV 90 DN 15	21,3	100,7	99,2	124,2	85	30	5
LA-HV 90 DN 20	26,9	103,5	102,0	127,0	92	30	5
LA-HV 90 DN 25	33,7	106,9	105,4	130,4	100	30	5
LA-HV 90 DN 32	42,4	111,2	109,7	134,7	111	30	5
LA-HV 90 DN 40	48,3	114,2	112,7	137,7	117	30	5
LA-HV 90 DN 50	60,3	120,2	118,7	143,7	139	40	5
LA-HV 90 DN 65	76,1	128,1	126,6	151,6	156	40	5
LA-HV 90 DN 80	88,9	134,5	133,0	158,0	168	40	5
LA-HV 90 DN 100	114,3	147,2	145,7	170,7	165	50	5
LA-HV 90 DN 125	139,7	159,9	158,4	183,4	183	50	5
LA-HV 90 DN 150	168,3	174,2	172,7	197,7	215	50	8

Pipe Shoes

Measurements and Centerline-Height



Sikla Pipe Shoe Type: **LA-HV 150**

Type	Height H as delivered [mm]	Height H Range [mm]
LA-HV 150	150	116 ... 168,5

Measurements:

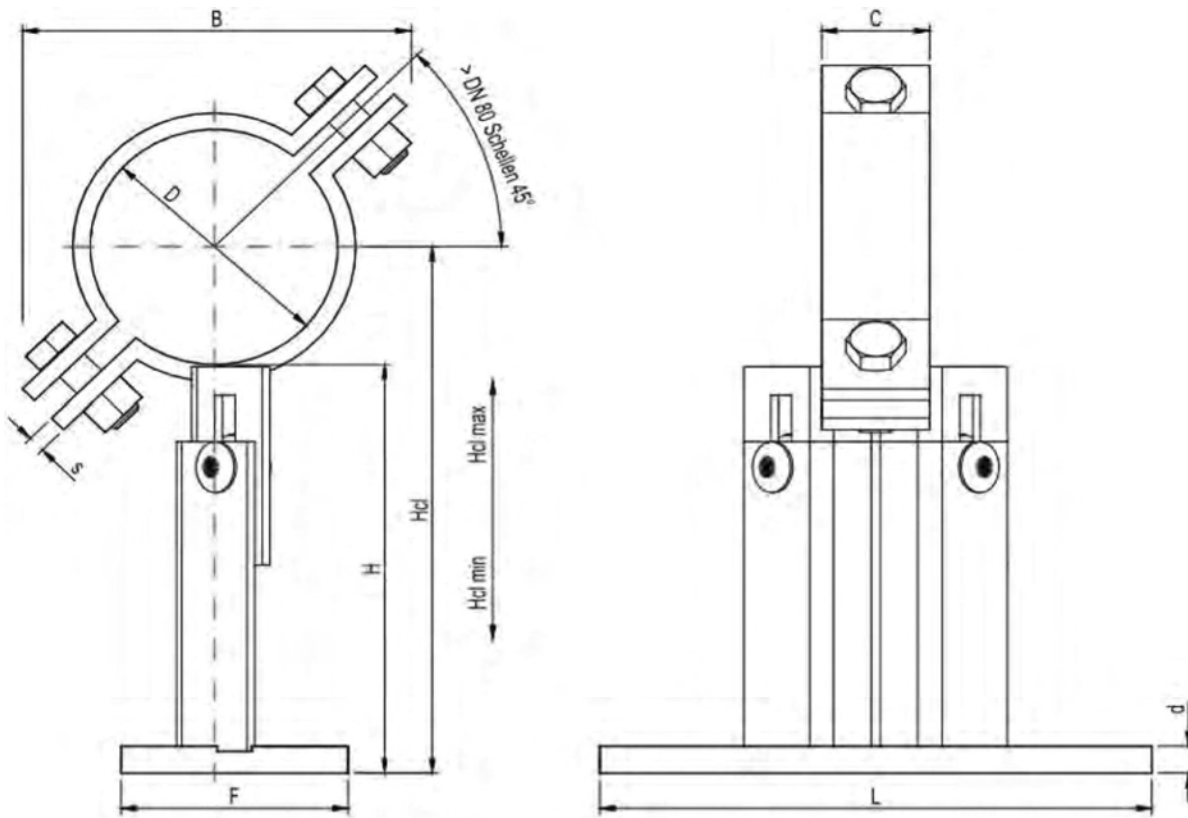
Metal plate: L = 250 mm x F = 100 mm x d = 8 mm

Slide plate incl.: L = 256 mm x F = 105 mm x d = 13 mm

Type	D (Pipe) [mm]	H _{CL} [mm]	H _{CL min} [mm]	H _{CL max} [mm]	B [mm]	C [mm]	s [mm]
LA-HV 150 DN 15	21,3	160,7	126,7	179,2	85	30	5
LA-HV 150 DN 20	26,9	163,5	129,5	182,0	92	30	5
LA-HV 150 DN 25	33,7	166,9	132,9	185,4	100	30	5
LA-HV 150 DN 32	42,4	171,2	137,2	189,7	111	30	5
LA-HV 150 DN 40	48,3	174,2	140,2	192,7	117	30	5
LA-HV 150 DN 50	60,3	180,2	146,2	198,7	139	40	5
LA-HV 150 DN 65	76,1	188,1	154,1	206,6	156	40	5
LA-HV 150 DN 80	88,9	194,5	160,5	213,0	168	40	5
LA-HV 150 DN 100	114,3	207,2	173,2	225,7	165	50	5
LA-HV 150 DN 125	139,7	219,9	185,9	238,4	183	50	5
LA-HV 150 DN 150	168,3	234,2	200,2	252,7	215	50	8

Pipe Shoes

Measurements and Centerline-Height



Sikla Pipe Shoe Type: **LA-HV 200**

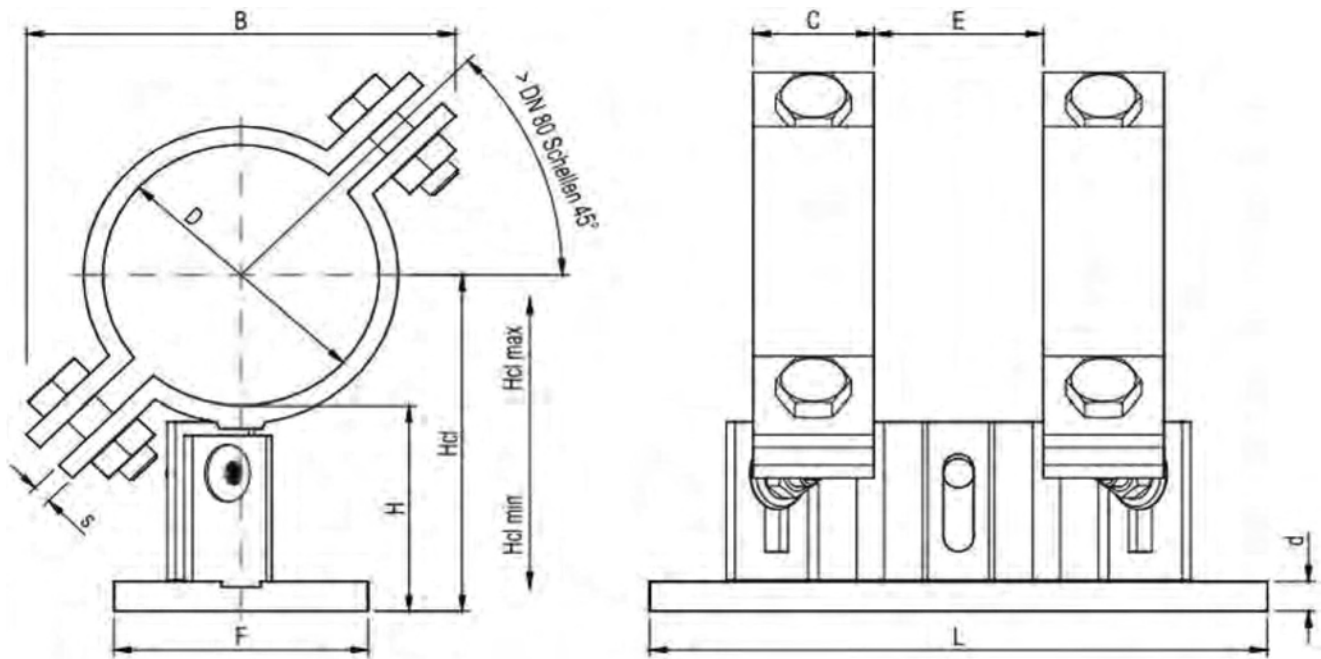
Type	Height H as delivered [mm]	Height H Range [mm]
LA-HV 200	200	171 ... 223,5

Measurements:

Metal plate: L = 250 mm x F = 100 mm x d = 8 mm

Slide plate incl.: L = 256 mm x F = 105 mm x d = 13 mm

Type	D (Pipe) [mm]	H _{CL} [mm]	H _{CL min} [mm]	H _{CL max} [mm]	B [mm]	C [mm]	s [mm]
LA-HV 200 DN 15	21,3	210,7	181,7	234,2	85	30	5
LA-HV 200 DN 20	26,9	213,5	184,5	237,0	92	30	5
LA-HV 200 DN 25	33,7	216,9	187,9	240,4	100	30	5
LA-HV 200 DN 32	42,4	221,2	192,2	244,7	111	30	5
LA-HV 200 DN 40	48,3	224,2	195,2	247,7	117	30	5
LA-HV 200 DN 50	60,3	230,2	201,2	253,7	139	40	5
LA-HV 200 DN 65	76,1	238,1	209,1	261,6	156	40	5
LA-HV 200 DN 80	88,9	244,5	215,5	268,0	168	40	5
LA-HV 200 DN 100	114,3	257,2	228,2	280,7	165	50	5
LA-HV 200 DN 125	139,7	269,9	240,9	293,4	183	50	5
LA-HV 200 DN 150	168,3	284,2	255,2	307,7	215	50	8

Measurements and Centerline-Height

Sikla Pipe Shoe Type: LC-HV 90

Type	Height H as delivered [mm]	Height H Range [mm]
LC-HV 90	90	88,5 ... 113,5

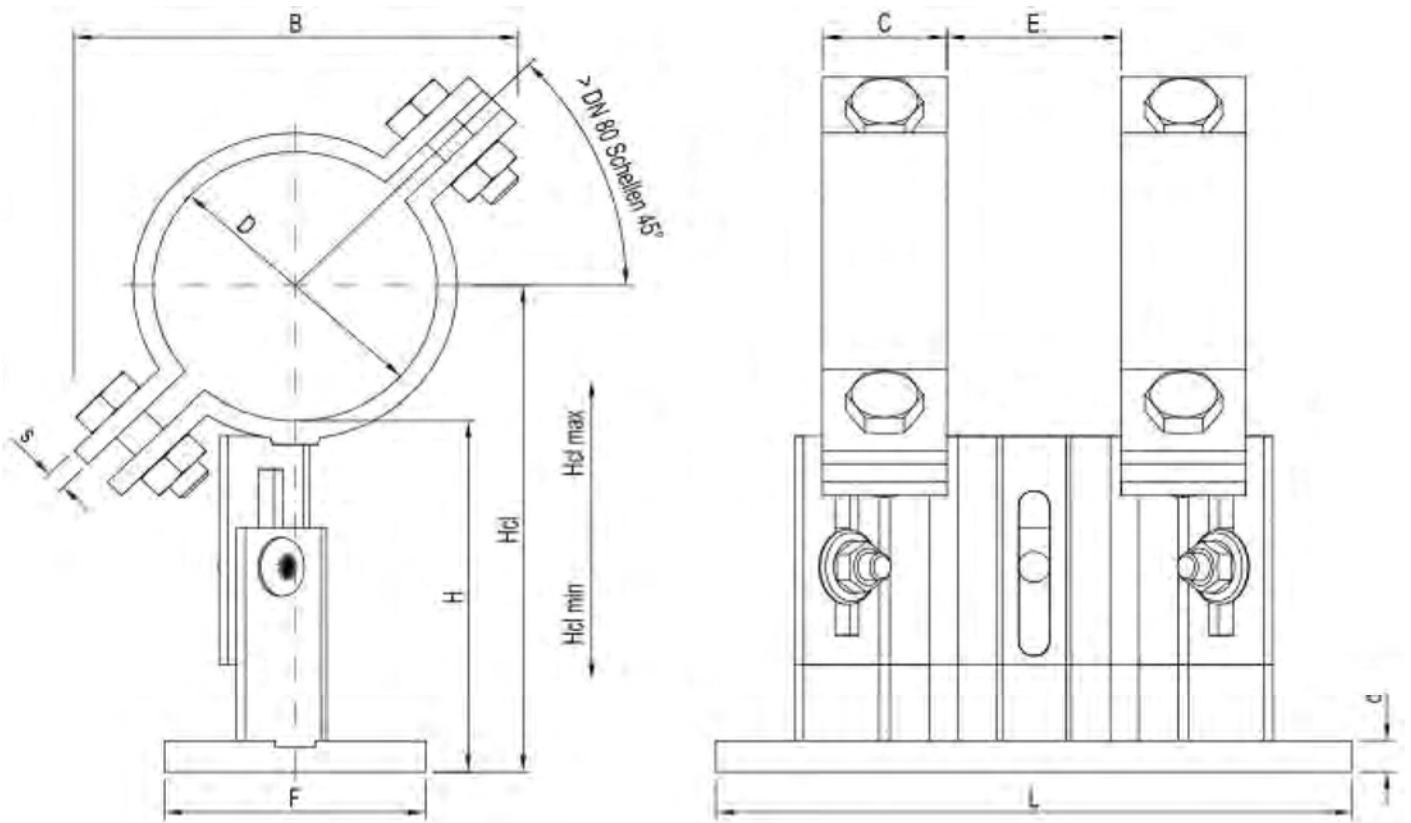
Measurements:
Metal plate: L = 250 mm x F = 100 mm x d = 8 mm

Slide plate incl.: L = 256 mm x F = 105 mm x d = 13 mm

Type	D (Pipe) [mm]	H _{CL} [mm]	H _{CL min} [mm]	H _{CL max} [mm]	B [mm]	C [mm]	E [mm]	s [mm]
LC-HV 90 DN 15	21,3	100,7	99,2	124,2	85	30	90	5
LC-HV 90 DN 20	26,9	103,5	102,0	127,0	92	30	90	5
LC-HV 90 DN 25	33,7	106,9	105,4	130,4	100	30	90	5
LC-HV 90 DN 32	42,4	111,2	109,7	134,7	111	30	90	5
LC-HV 90 DN 40	48,3	114,2	112,7	137,7	117	30	90	5
LC-HV 90 DN 50	60,3	120,2	118,7	143,7	139	40	80	5
LC-HV 90 DN 65	76,1	128,1	126,6	151,6	156	40	80	5
LC-HV 90 DN 80	88,9	134,5	133,0	158,0	168	40	80	5
LC-HV 90 DN 100	114,3	147,2	145,7	170,7	165	50	70	5
LC-HV 90 DN 125	139,7	159,9	158,4	183,4	183	50	70	5
LC-HV 90 DN 150	168,3	174,2	172,7	197,7	215	50	70	8
LC-HV 90 DN 200	219,1	199,6	198,1	223,1	252	50	70	8
LC-HV 90 DN 250	273,0	226,5	225,0	250,0	306	60	60	8
LC-HV 90 DN 300	323,9	252,0	250,5	275,5	347	60	60	8

Pipe Shoes

Measurements and Centerline-Height



Sikla Pipe Shoe Type: **LC-HV 150**

Type	Height H as delivered [mm]	Height H Range [mm]
LC-HV 150	150	116 ... 168,5

Measurements:

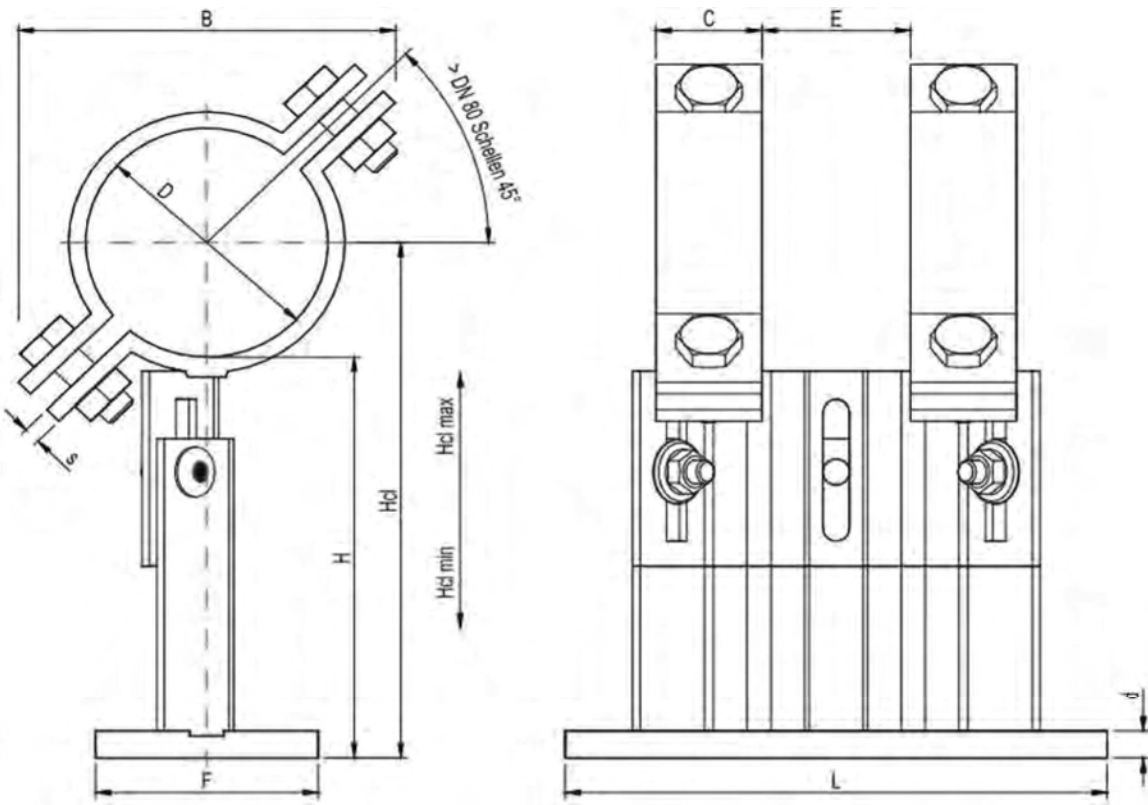
Metal plate: L = 250 mm x F = 100 mm x d = 8 mm

Slide plate incl.: L = 256 mm x F = 105 mm x d = 13 mm

Type	D (Pipe) [mm]	H _{CL} [mm]	H _{CL min} [mm]	H _{CL max} [mm]	B [mm]	C [mm]	E [mm]	s [mm]
LC-HV 150 DN 15	21,3	160,7	126,7	179,2	85	30	90	5
LC-HV 150 DN 20	26,9	163,5	129,5	182,0	92	30	90	5
LC-HV 150 DN 25	33,7	166,9	132,9	185,4	100	30	90	5
LC-HV 150 DN 32	42,4	171,2	137,2	189,7	111	30	90	5
LC-HV 150 DN 40	48,3	174,2	140,2	192,7	117	30	90	5
LC-HV 150 DN 50	60,3	180,2	146,2	198,7	139	40	80	5
LC-HV 150 DN 65	76,1	188,1	154,1	206,6	156	40	80	5
LC-HV 150 DN 80	88,9	194,5	160,5	213,0	168	40	80	5
LC-HV 150 DN 100	114,3	207,2	173,2	225,7	165	50	70	5
LC-HV 150 DN 125	139,7	219,9	185,9	238,4	183	50	70	5
LC-HV 150 DN 150	168,3	234,2	200,2	252,7	215	50	70	8
LC-HV 150 DN 200	219,1	259,6	225,6	278,1	252	50	70	8
LC-HV 150 DN 250	273,0	286,5	252,5	305,0	306	60	60	8
LC-HV 150 DN 300	323,9	312,0	278,0	330,5	347	60	60	8

Pipe Shoes

Measurements and Centerline-Height



Sikla Pipe Shoe Type: **LC-HV 200**

Type	Height H as delivered [mm]	Height H Range [mm]
LC-HV 200	200	171 ... 223,5

Measurements:

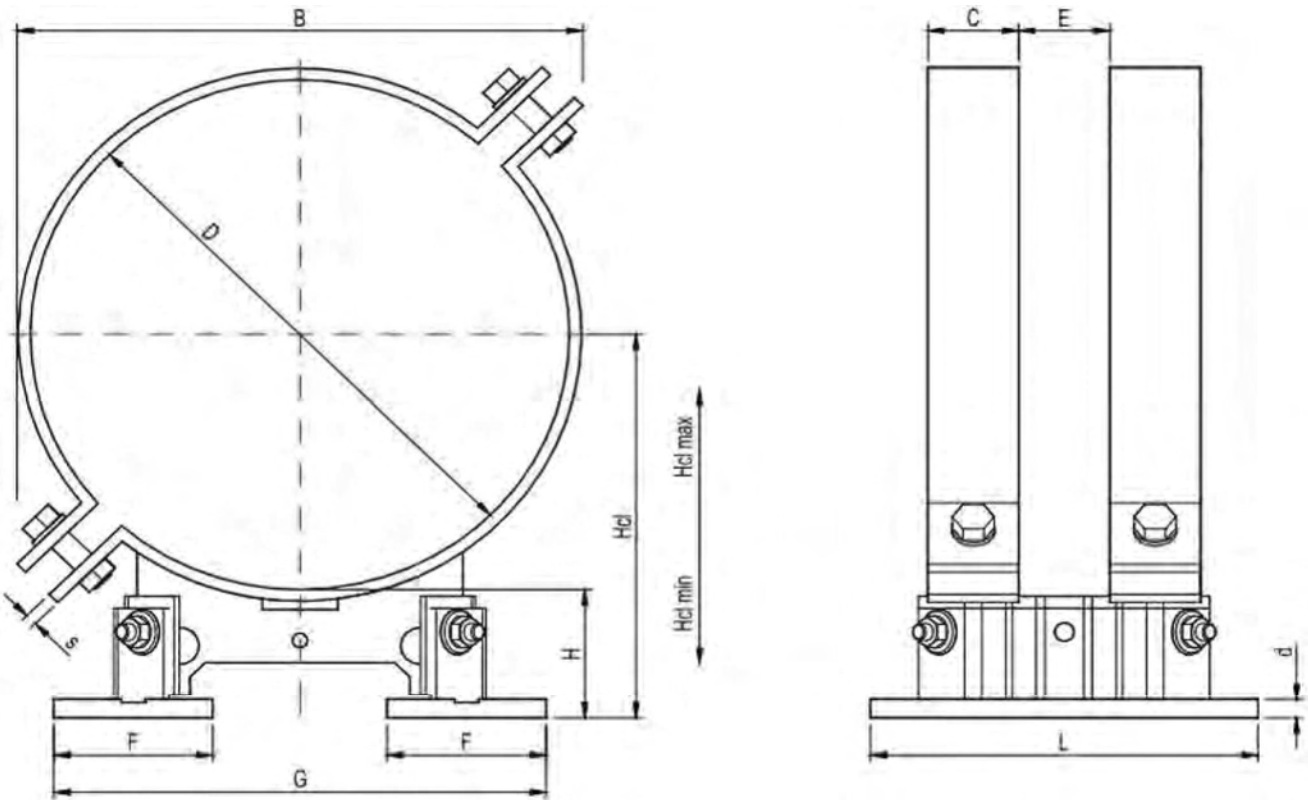
Metal plate: L = 250 mm x F = 100 mm x d = 8 mm

Slide plate incl.: L = 256 mm x F = 105 mm x d = 13 mm

Type	D (Pipe) [mm]	H _{CL} [mm]	H _{CL min} [mm]	H _{CL max} [mm]	B [mm]	C [mm]	E [mm]	s [mm]
LC-HV 200 DN 15	21,3	210,7	181,7	234,2	85	30	90	5
LC-HV 200 DN 20	26,9	213,5	184,5	237,0	92	30	90	5
LC-HV 200 DN 25	33,7	216,9	187,9	240,4	100	30	90	5
LC-HV 200 DN 32	42,4	221,2	192,2	244,7	111	30	90	5
LC-HV 200 DN 40	48,3	224,2	195,2	247,7	117	30	90	5
LC-HV 200 DN 50	60,3	230,2	201,2	253,7	139	40	80	5
LC-HV 200 DN 65	76,1	238,1	209,1	261,6	156	40	80	5
LC-HV 200 DN 80	88,9	244,5	215,5	268,0	168	40	80	5
LC-HV 200 DN 100	114,3	257,2	228,2	280,7	165	50	70	5
LC-HV 200 DN 125	139,7	269,9	240,9	293,4	183	50	70	5
LC-HV 200 DN 150	168,3	284,2	255,2	307,7	215	50	70	8
LC-HV 200 DN 200	219,1	309,6	280,6	333,1	252	50	70	8
LC-HV 200 DN 250	273,0	336,5	307,5	360,0	306	60	60	8
LC-HV 200 DN 300	323,9	362,0	333,0	385,5	347	60	60	8

Pipe Shoes

Measurements and Centerline-Height



Sikla Pipe Shoe Type: **LD-HV 90**

Type	Height H as delivered [mm]	Height H Range[mm]
LD-HV 90	90	88,5 ... 113,5

Measurements:

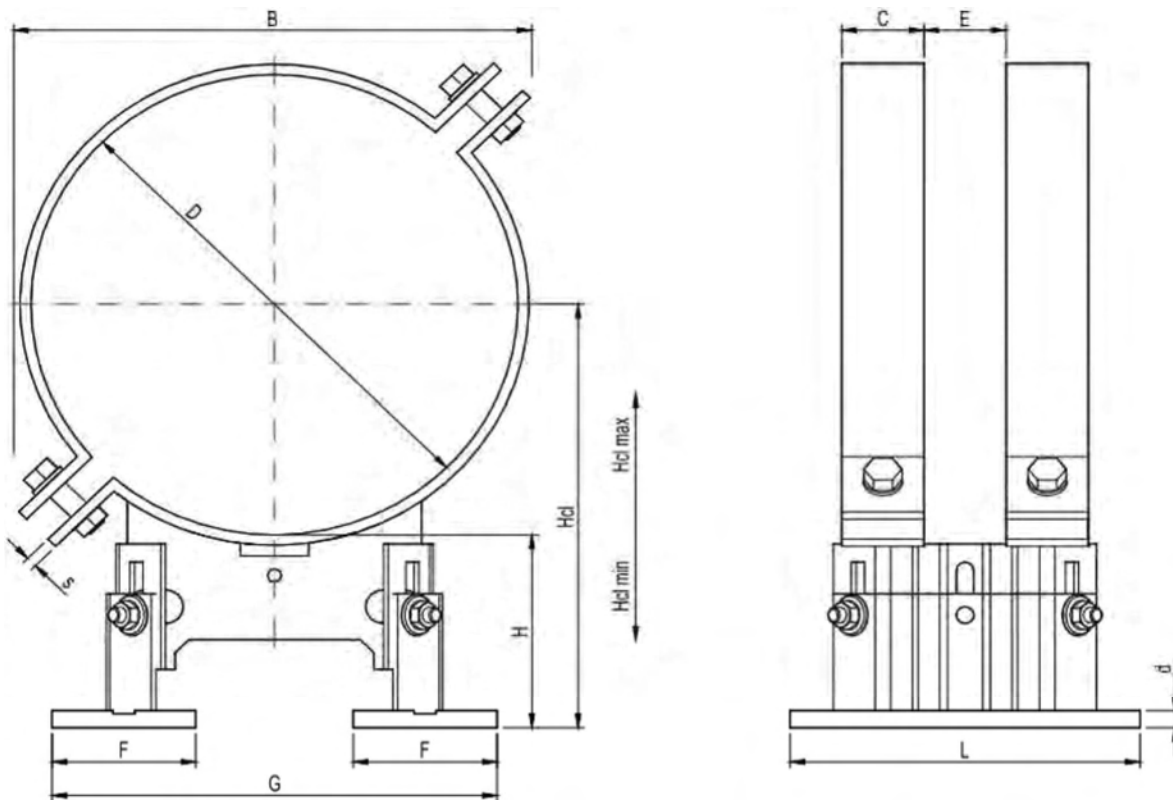
Metal plate: L = 250 mm x F = 100 mm x d = 8 mm

Slide plate incl.: L = 256 mm x F = 105 mm x d = 13 mm

Type	D (Pipe) [mm]	H _{CL} [mm]	H _{CL min} [mm]	H _{CL max} [mm]	B [mm]	C [mm]	E [mm]	s [mm]
LD-HV 90 DN 200	219,1	199,6	198,1	223,1	252	50	70	8
LD-HV 90 DN 250	273,0	226,5	225,0	250,0	306	60	60	8
LD-HV 90 DN 300	323,9	252,0	250,5	275,5	347	60	60	8
LD-HV 90 DN 350	355,6	267,8	266,3	291,3	375	60	60	8
LD-HV 90 DN 400	406,1	293,1	291,6	316,6	423	70	50	8
LD-HV 90 DN 500	508,0	344,0	342,5	367,5	524	70	50	8
LD-HV 90 DN 600	610,0	395,0	393,5	418,5	626	70	50	8

Pipe Shoes

Measurements and Centerline-Height



Sikla Pipe Shoe Type: **LD-HV 150**

Type	Height H as delivered [mm]	Height H Range [mm]
LD-HV 150	150	116 ... 168,5

Measurements:

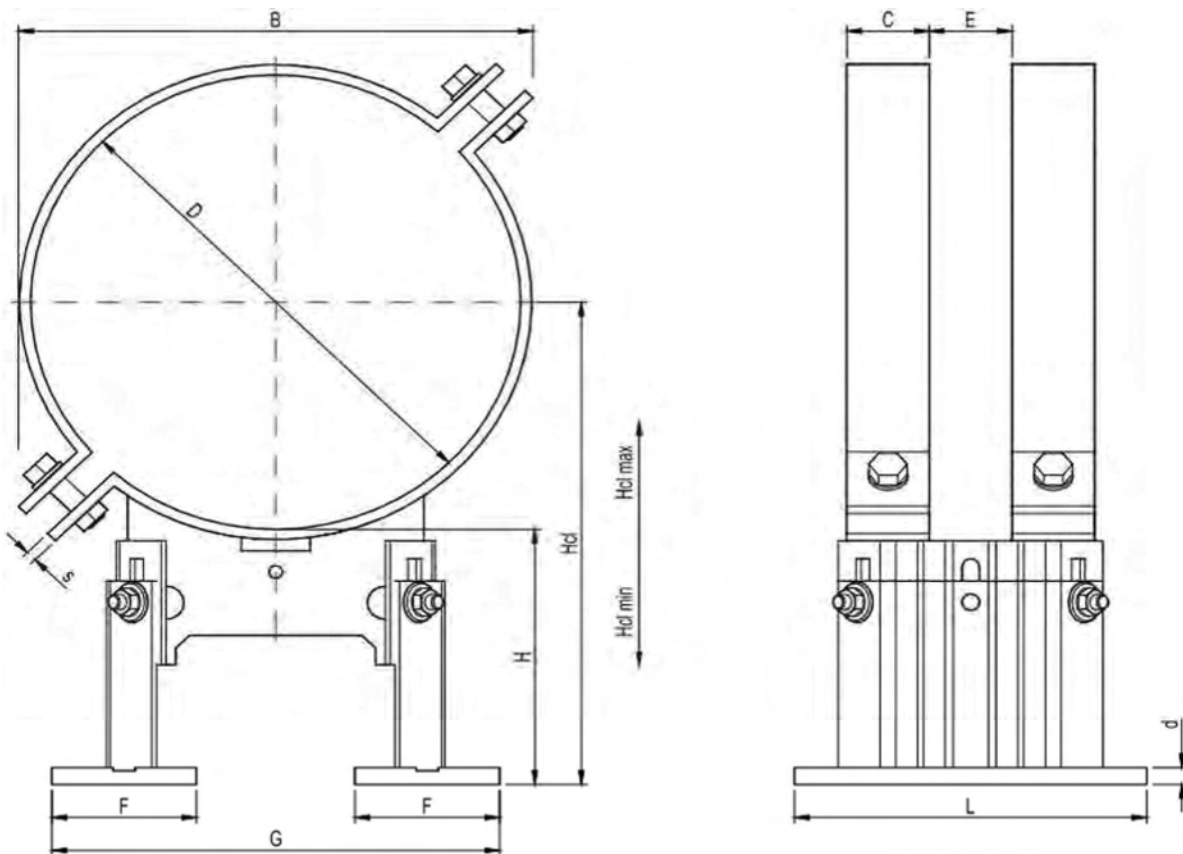
Metal plate: L = 250 mm x F = 100 mm x d = 8 mm

Slide plate incl.: L = 256 mm x F = 105 mm x d = 13 mm

Type	D (Pipe) [mm]	H _{CL} [mm]	H _{CL min} [mm]	H _{CL max} [mm]	B [mm]	C [mm]	E [mm]	s [mm]
LD-HV 150 DN 200	219,1	259,6	225,6	278,1	252	50	70	8
LD-HV 150 DN 250	273,0	286,5	252,5	305,0	306	60	60	8
LD-HV 150 DN 300	323,9	312,0	278,0	330,5	347	60	60	8
LD-HV 150 DN 350	355,6	327,8	293,8	346,3	375	60	60	8
LD-HV 150 DN 400	406,1	353,1	319,1	371,6	423	70	50	8
LD-HV 150 DN 500	508,0	404,0	370,0	422,5	524	70	50	8
LD-HV 150 DN 600	610,0	455,0	421,0	473,5	626	70	50	8

Pipe Shoes

Measurements and Centerline-Height



Sikla Pipe Shoe Type: **LD-HV 200**

Type	Height H as delivered [mm]	Height H Range [mm]
LD-HV 200	200	171 ... 223,5

Measurements:

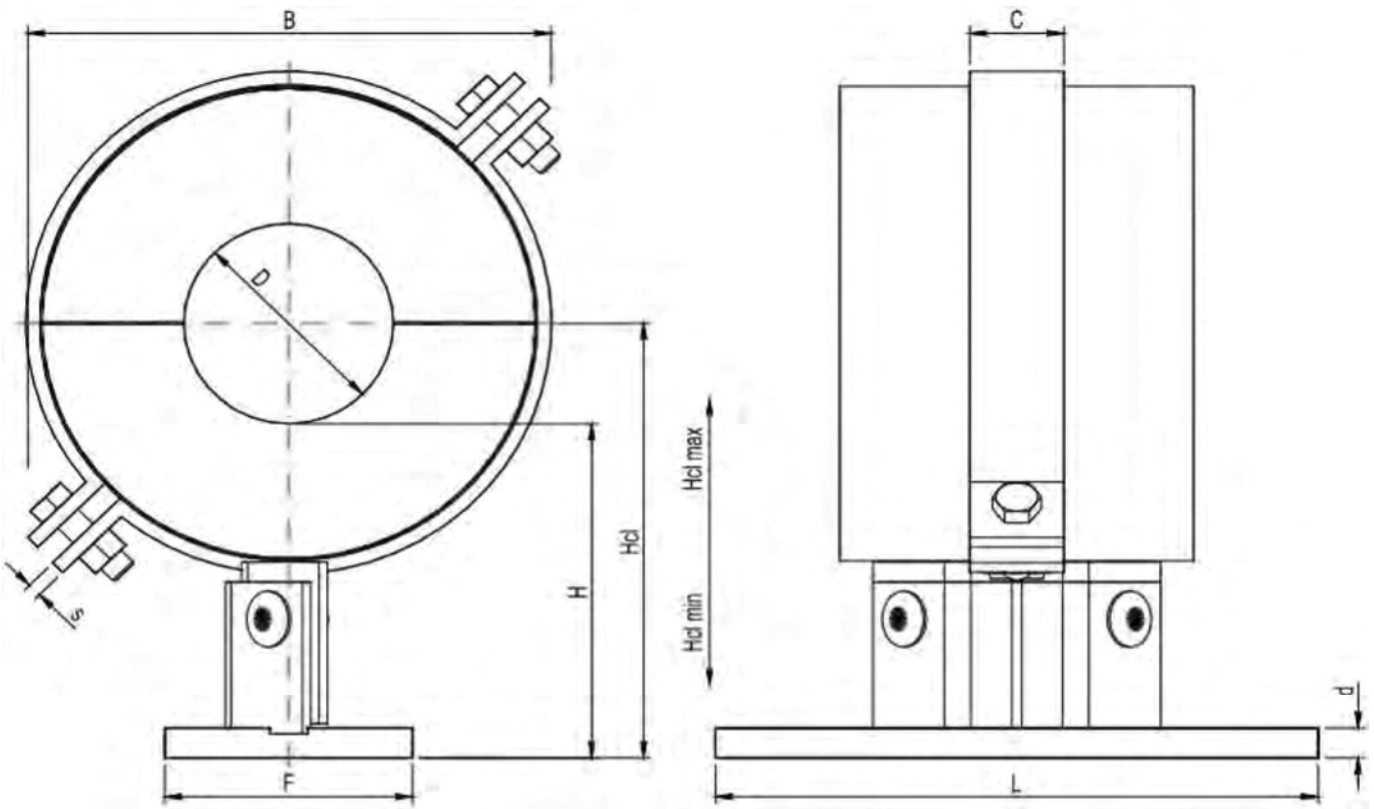
Metal plate: L = 250 mm x F = 100 mm x d = 8 mm

Slide plate incl.: L = 256 mm x G = 325 mm x d = 13 mm

Type	D (Pipe) [mm]	H _{CL} [mm]	H _{CL min} [mm]	H _{CL max} [mm]	B [mm]	C [mm]	E [mm]	s [mm]
LD-HV 200 DN 200	219,1	309,6	280,6	333,1	252	50	70	8
LD-HV 200 DN 250	273,0	336,5	307,5	360,0	306	60	60	8
LD-HV 200 DN 300	323,9	362,0	333,0	385,5	347	60	60	8
LD-HV 200 DN 350	355,6	377,8	348,8	401,3	375	60	60	8
LD-HV 200 DN 400	406,1	403,1	374,1	426,6	423	70	50	8
LD-HV 200 DN 500	508,0	454,0	425,0	477,5	524	70	50	8
LD-HV 200 DN 600	610,0	505,0	476,0	528,5	626	70	50	8

Pipe Shoes

Measurements and Centerline-Height



Sikla Pipe Shoe Type: **LK-HV 150**

Size	Type	Height H as delivered [mm]	Height H Range [mm]
DN 25 - 50	1 Clamp	150	137,5 ... 167,5
DN 65 - 80	1 Clamp	150	147,5 ... 177,5

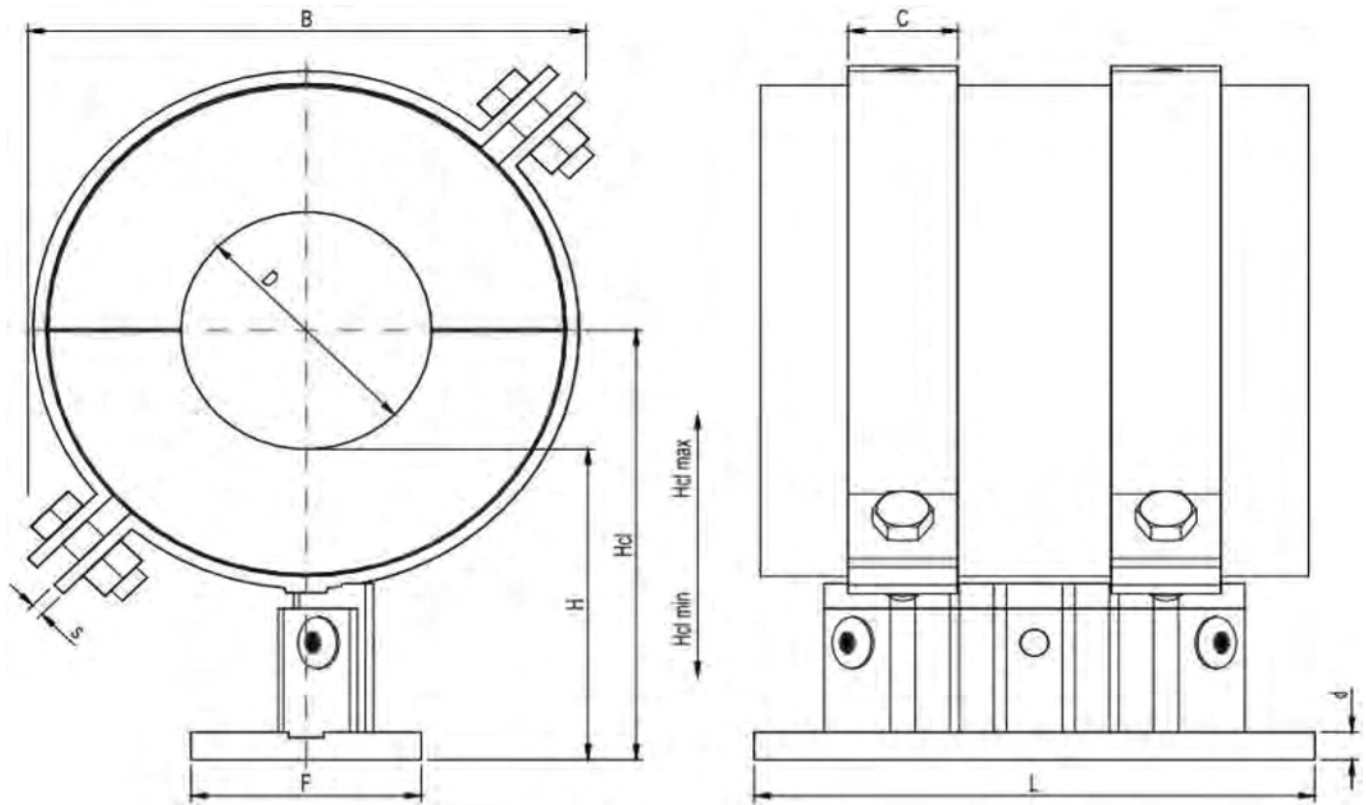
Measurements:

Metal plate: L = 250 mm x F = 100 mm x d = 8 mm

Slide plate incl.: L = 256 mm x F = 105 mm x d = 13 mm

Type	D (Pipe) [mm]	H _{CL} [mm]	H _{CL min} [mm]	H _{CL max} [mm]	B [mm]	C [mm]	s [mm]
LK-HV 150 DN 25	33,7	166,9	154,4	184,4	180	50	5
LK-HV 150 DN 32	42,4	171,2	158,7	188,7	187	50	5
LK-HV 150 DN 40	48,3	174,2	161,7	191,7	190	50	5
LK-HV 150 DN 50	60,3	180,2	167,7	197,7	199	50	5
LK-HV 150 DN 65	76,1	188,1	185,6	215,6	237	50	8
LK-HV 150 DN 80	88,9	194,5	192,0	222,0	245	50	8

Measurements and Centerline-Height



Sikla Pipe Shoe Type: **LK-HV 150**

Size	Type	Height H as delivered [mm]	Height H Range [mm]
DN 100 - 250	2 Clamps	150	150 ... 180
DN 300	2 Clamps	150	150 ... 160

Measurements:

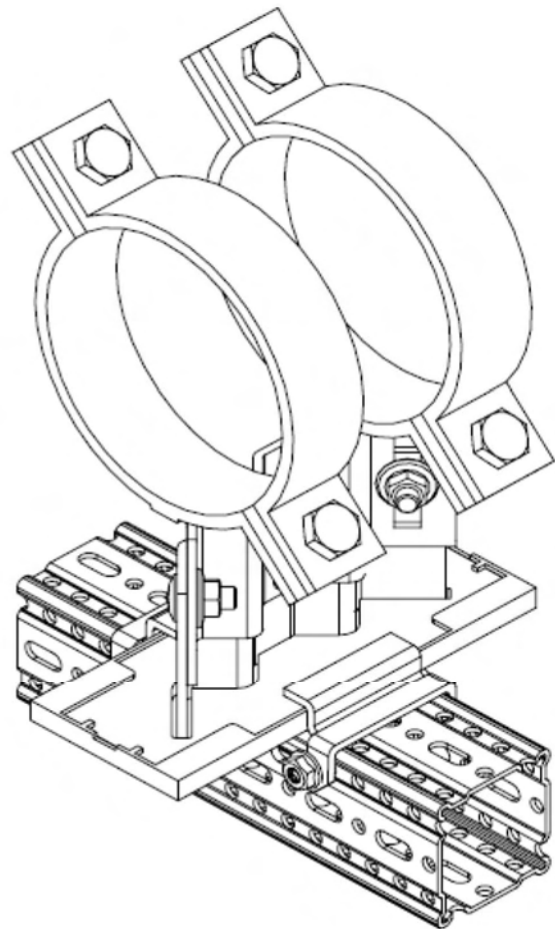
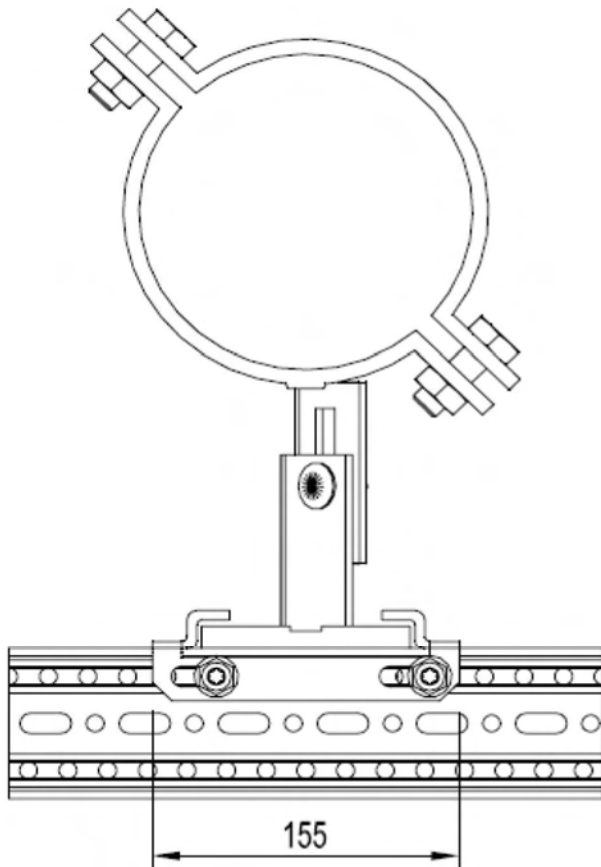
Metal plate: L = 250 mm x F = 100 mm x d = 8 mm

Slide plate incl.: L = 256 mm x F = 105 mm x d = 13 mm

Type	D (Pipe) [mm]	H _{CL} [mm]	H _{CL min} [mm]	H _{CL max} [mm]	B [mm]	C [mm]	s [mm]
LK-HV 150 DN 100	114,3	207,2	207,2	237,2	278	50	8
LK-HV 150 DN 125	139,7	219,9	219,9	249,9	295	50	8
LK-HV 150 DN 150	168,3	234,2	234,2	264,2	319	60	8
LK-HV 150 DN 200	219,1	259,6	259,6	289,6	363	60	8
LK-HV 150 DN 250	273,0	286,5	286,5	316,5	412	60	8
LK-HV 150 DN 300	323,9	312,0	312,0	322,0	503	70	8

Pipe Shoes

Guiding Bracket FW F 80/100



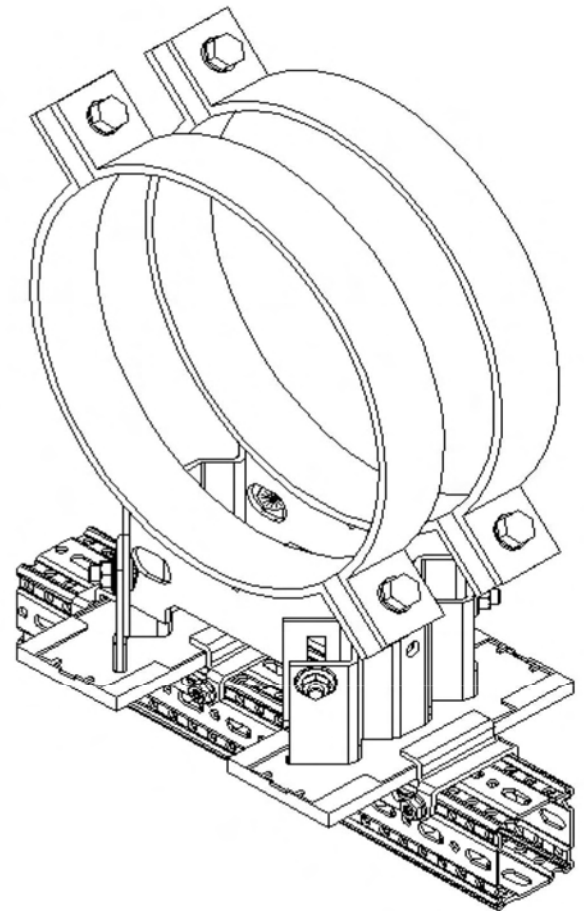
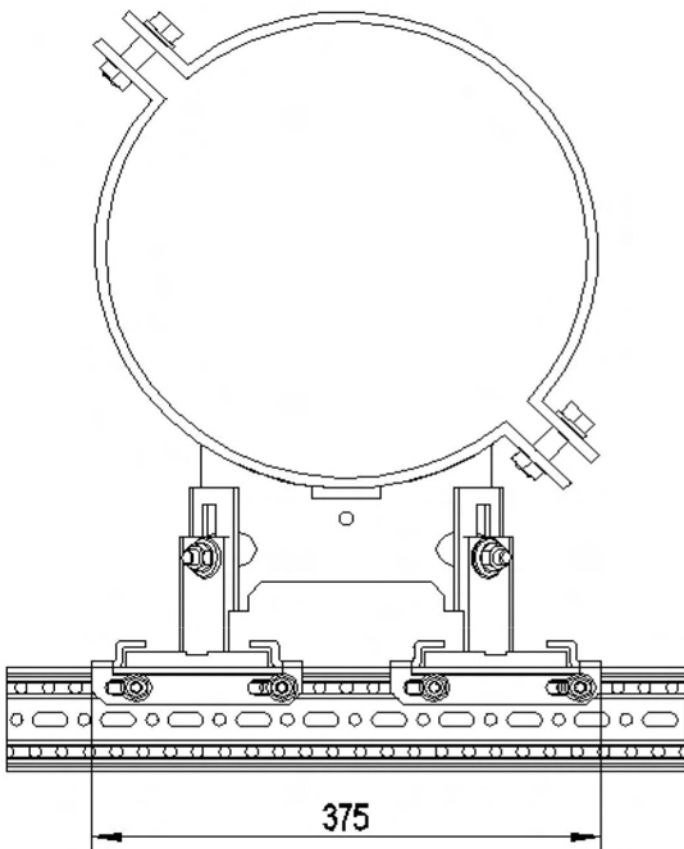
Guiding Bracket FW F 80/100

Material: Steel, HCP

Type	W [kg]	Qty. [pack]	Part Number
FW F 80	0,6	1	110349
FW F 100	0,7	1	113088

Pipe Shoes

Guiding Bracket FW F 80/100



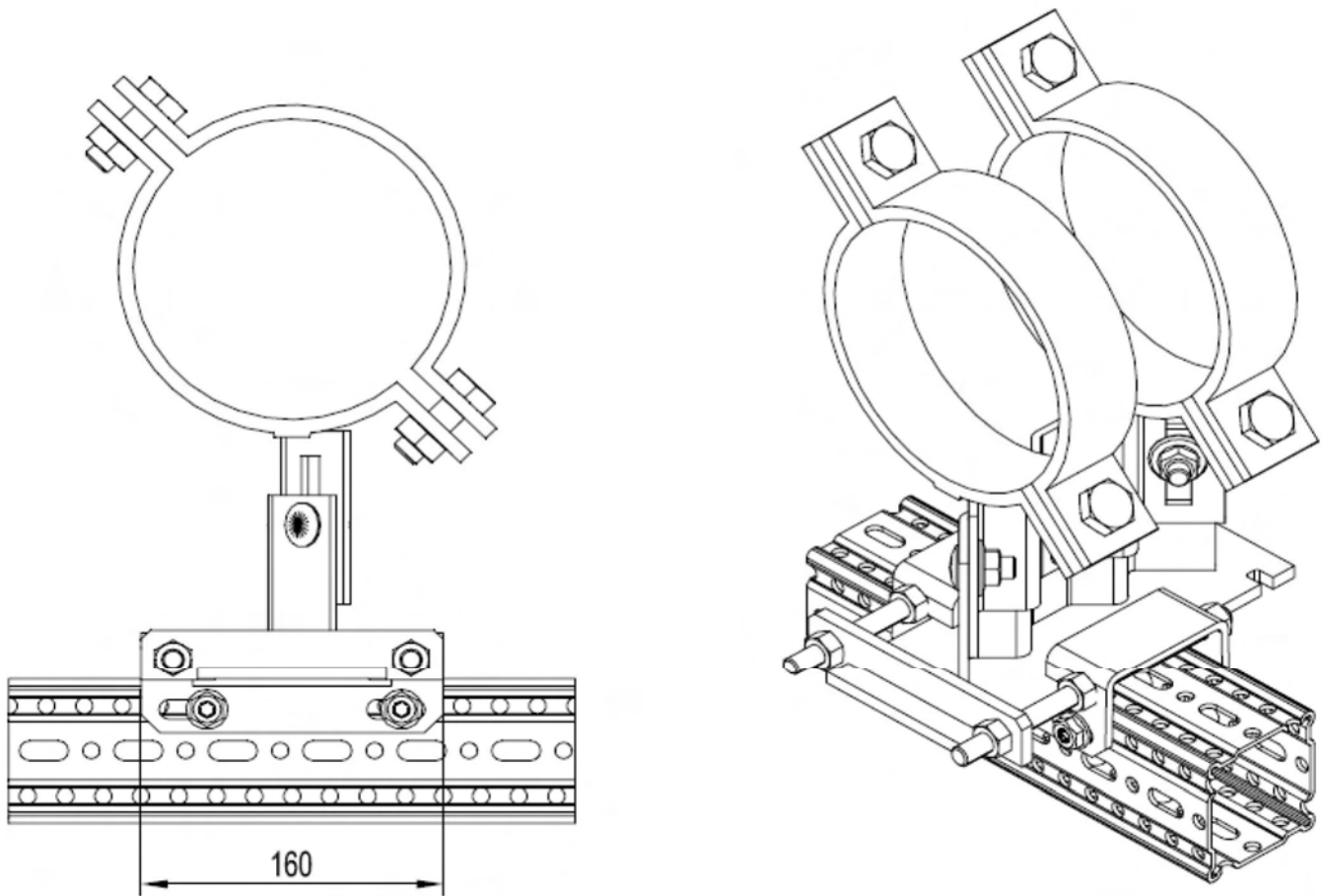
2 x Guiding Braket FW F 80/100

Material: Steel, HCP

Type	W [kg]	Qty. [pack]	Part Number
FW F 80	0,6	1	110349
FW F 100	0,7	1	113088

Pipe Shoes

Fixed Point Bracket XW F 80/100



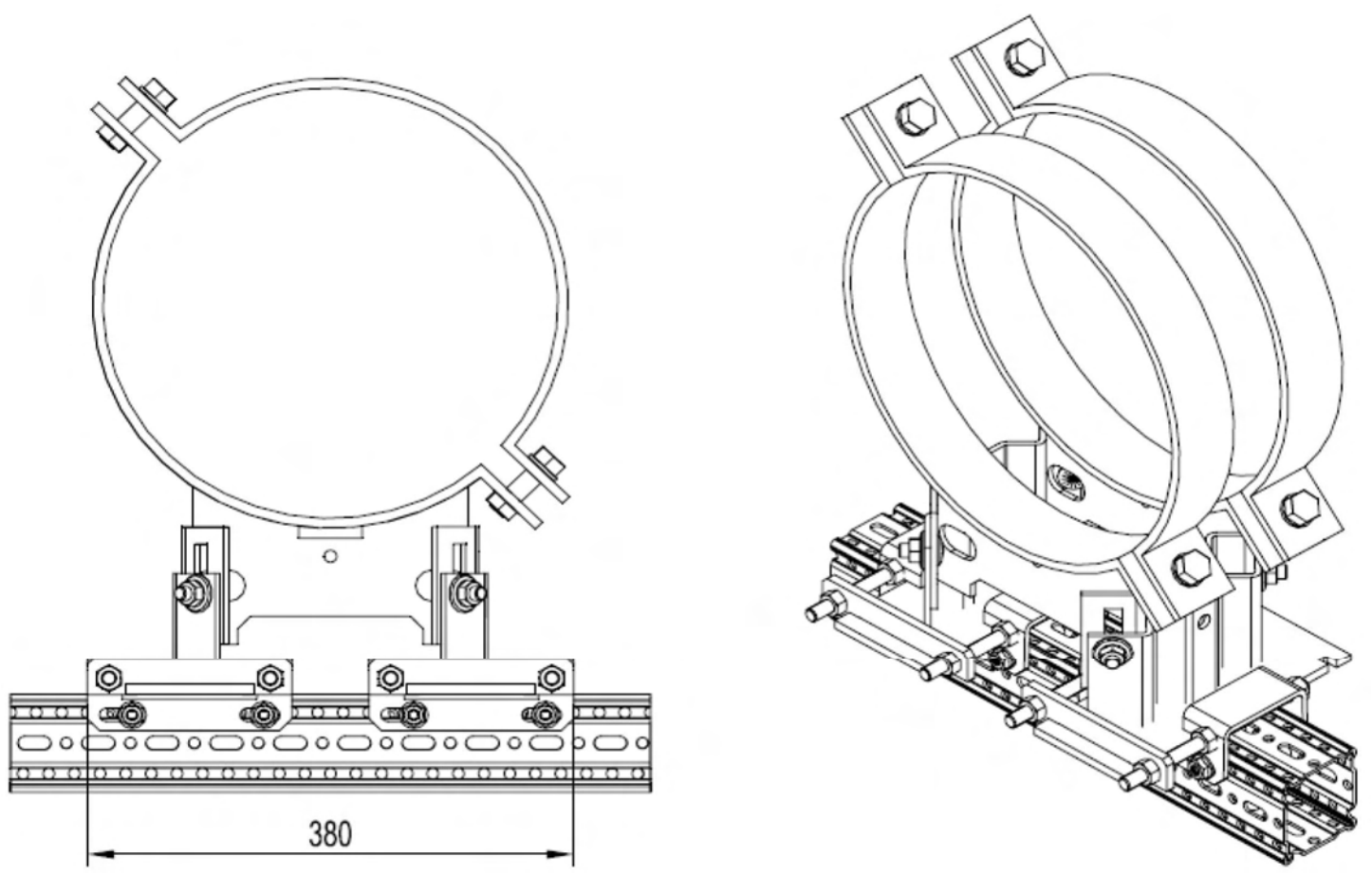
Fixed Point Bracket XW F 80/100

Material: Steel, HCP

Type	W [kg]	Qty. [pack]	Part Number
XW F 80	1,3	1	110356
XW F 100	1,6	1	113087

Pipe Shoes

Fixed Point Bracket XW F 80/100



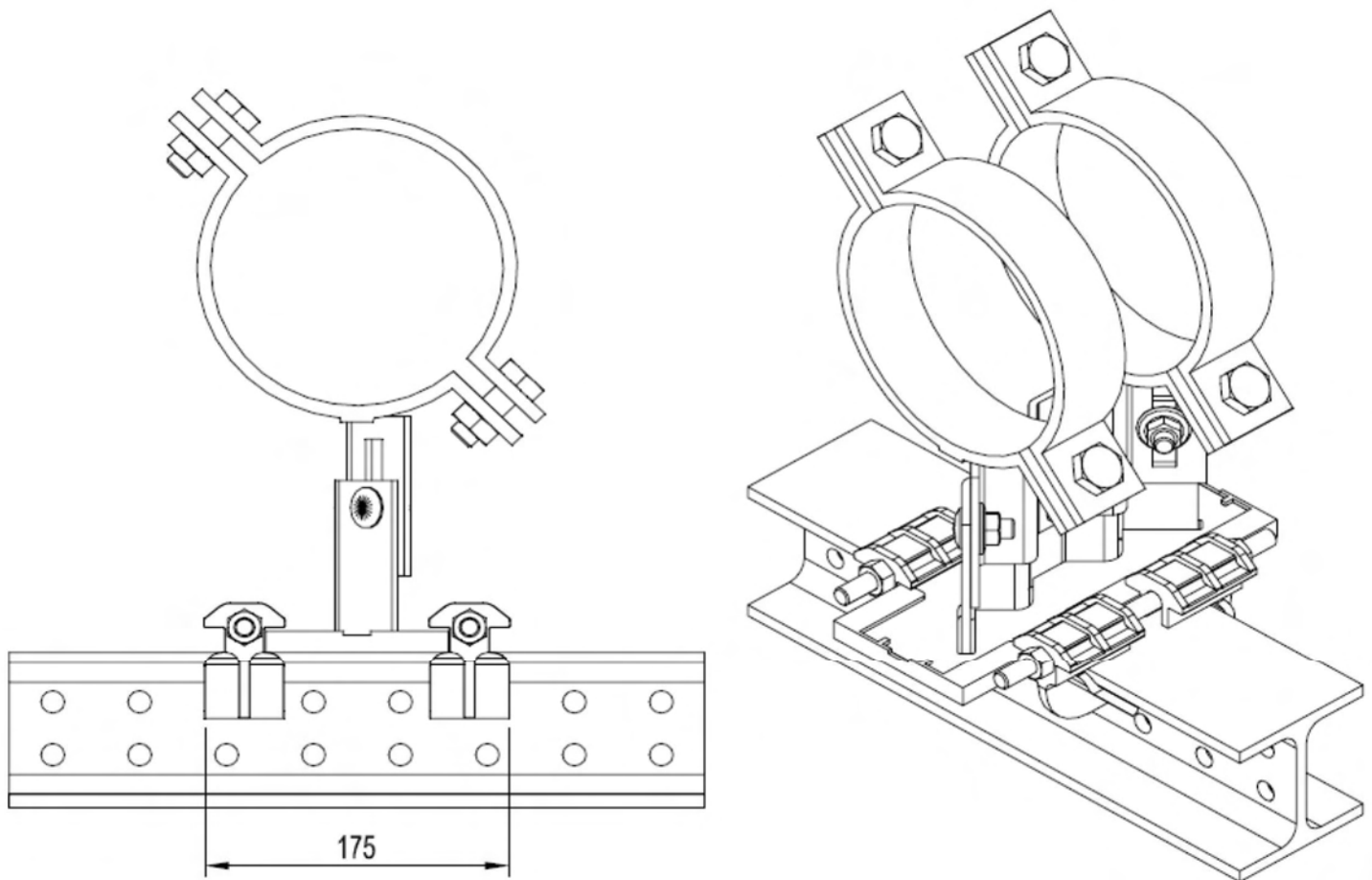
2 x Fixed Point Bracket XW F 80/100

Material: Steel, HCP

Type	W [kg]	Qty. [pack]	Part Number
XW F 80	1,3	1	110356
XW F 100	1,6	1	113087

Pipe Shoes

Guiding Set FS



Guiding Set FS

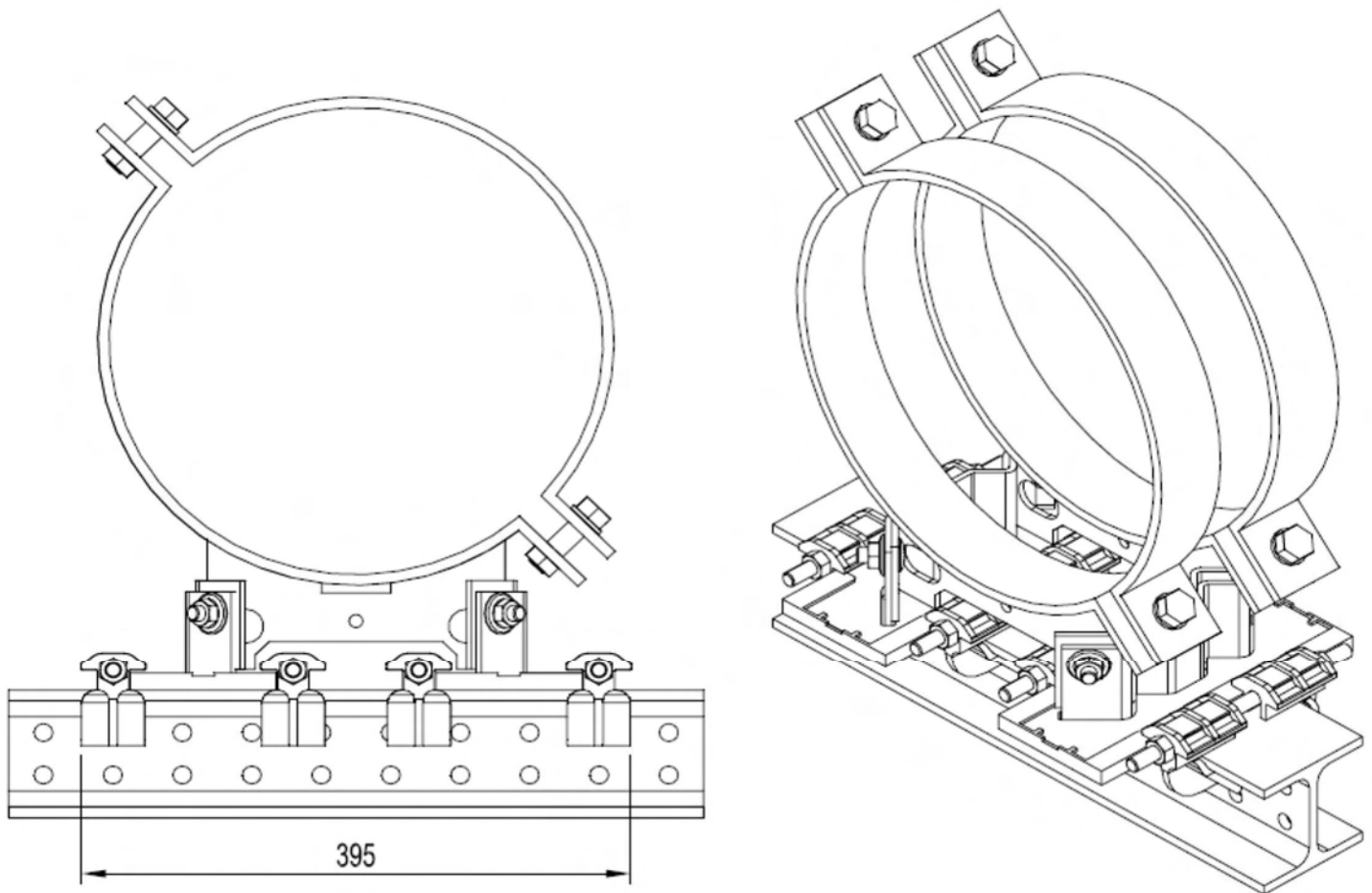
Material:

Metal parts	Steel, HCP
Grub screws, nuts:	Steel, HCP
Clamping hooks:	Cast iron, HCP

Type	for flange width [mm]	W [kg]	Qty. [set]	Part Number
FS 80/120	80 - 120	2,0	1	110350
FS 140/160	140 - 160	2,1	1	110351
FS 180/220	180 - 220	2,2	1	110352
FS 240/260	240 - 260	2,7	1	110353
FS dm 280/300	280 - 300	3,3	1	112887

Pipe Shoes

Guiding Set FS



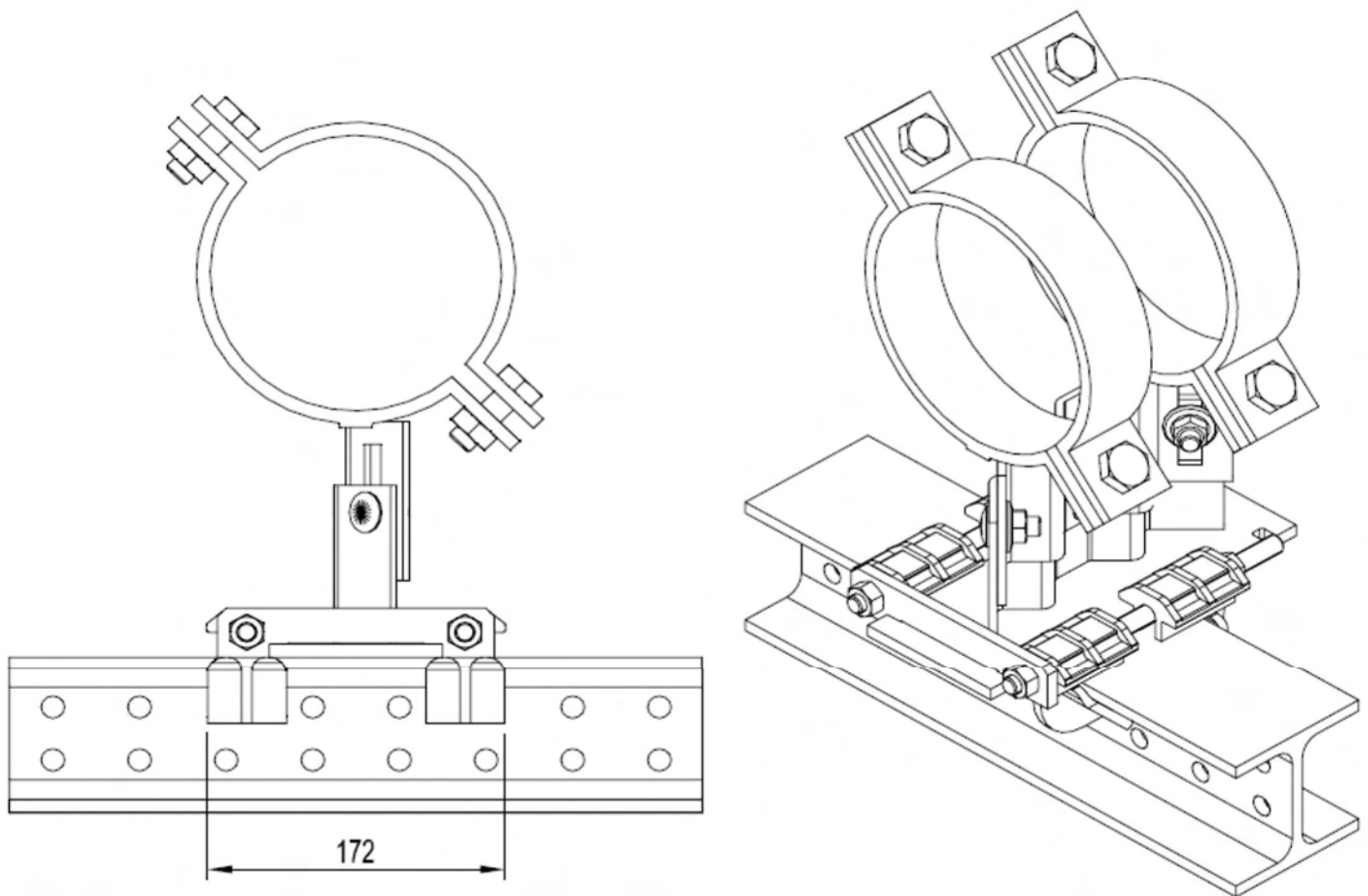
2 x Guiding Set FS

Material:

Metal parts Steel, HCP
 Grub screws, nuts: Steel, HCP
 Clamping hooks: Cast iron, HCP

Type	for flange width [mm]	W [kg]	Qty. [set]	Part Number
FS 80/120	80 - 120	2,0	1	110350
FS 140/160	140 - 160	2,1	1	110351
FS 180/220	180 - 220	2,2	1	110352
FS 240/260	240 - 260	2,7	1	110353
FS dm 280/300	280 - 300	3,3	1	112887

Fixed Point Set XS



Fixed Point Set XS

Material:

Metal parts Steel, HCP

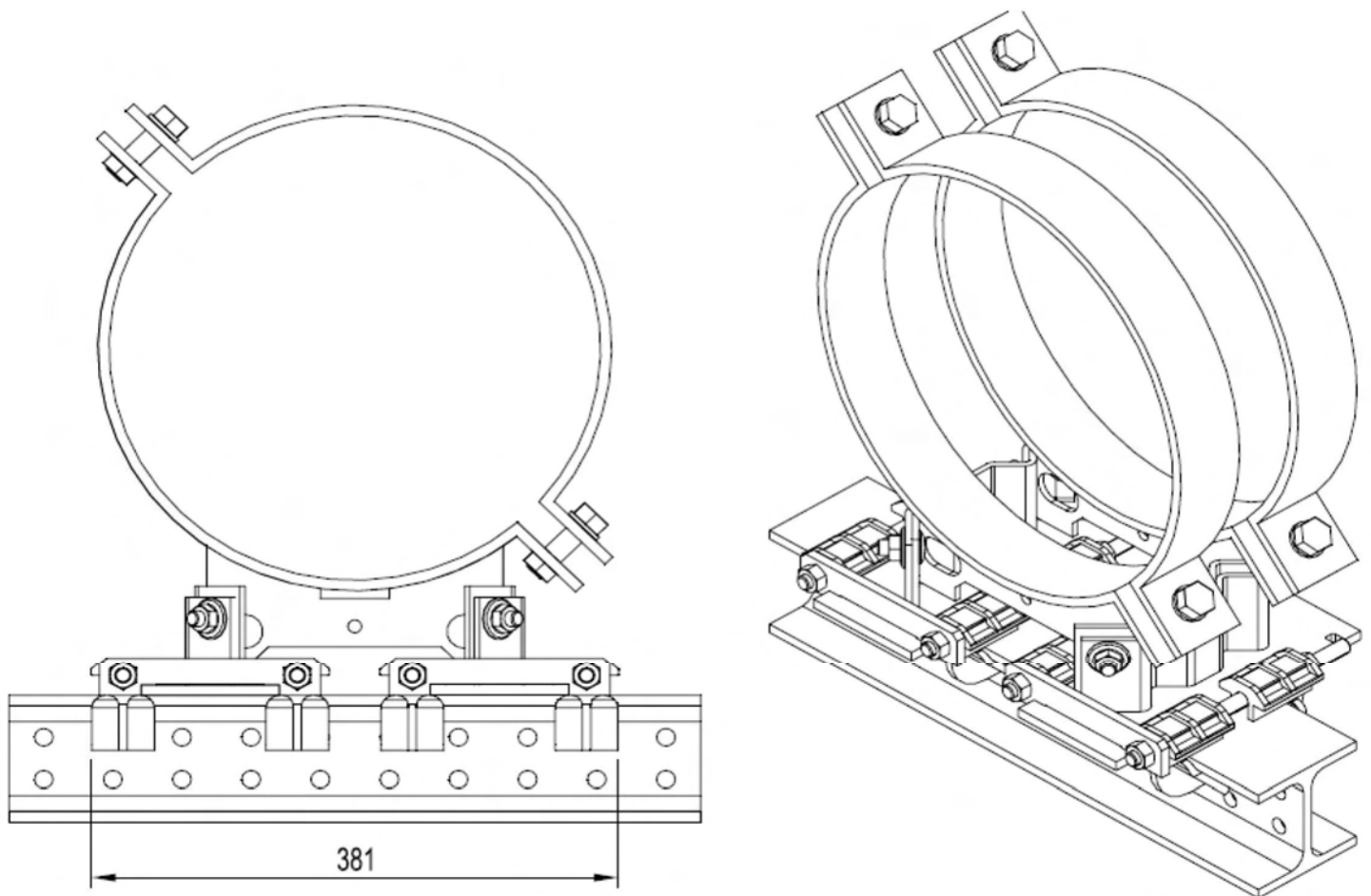
Grub screws, nuts: Steel, HCP

Clamping hooks: Cast iron, HCP

Type	for flange width [mm]	W [kg]	Qty. [set]	Part Number
XS 80/120	80 - 120	2,3	1	110357
XS 140/160	140 - 160	2,4	1	110358
XS 180/220	180 - 220	2,4	1	110359
XS 240/260	240 - 260	2,5	1	110360
XS dm 280/300	280 - 300	3,0	1	110361

Pipe Shoes

Fixed Point Set XS



2 x Fixed Point Set XS

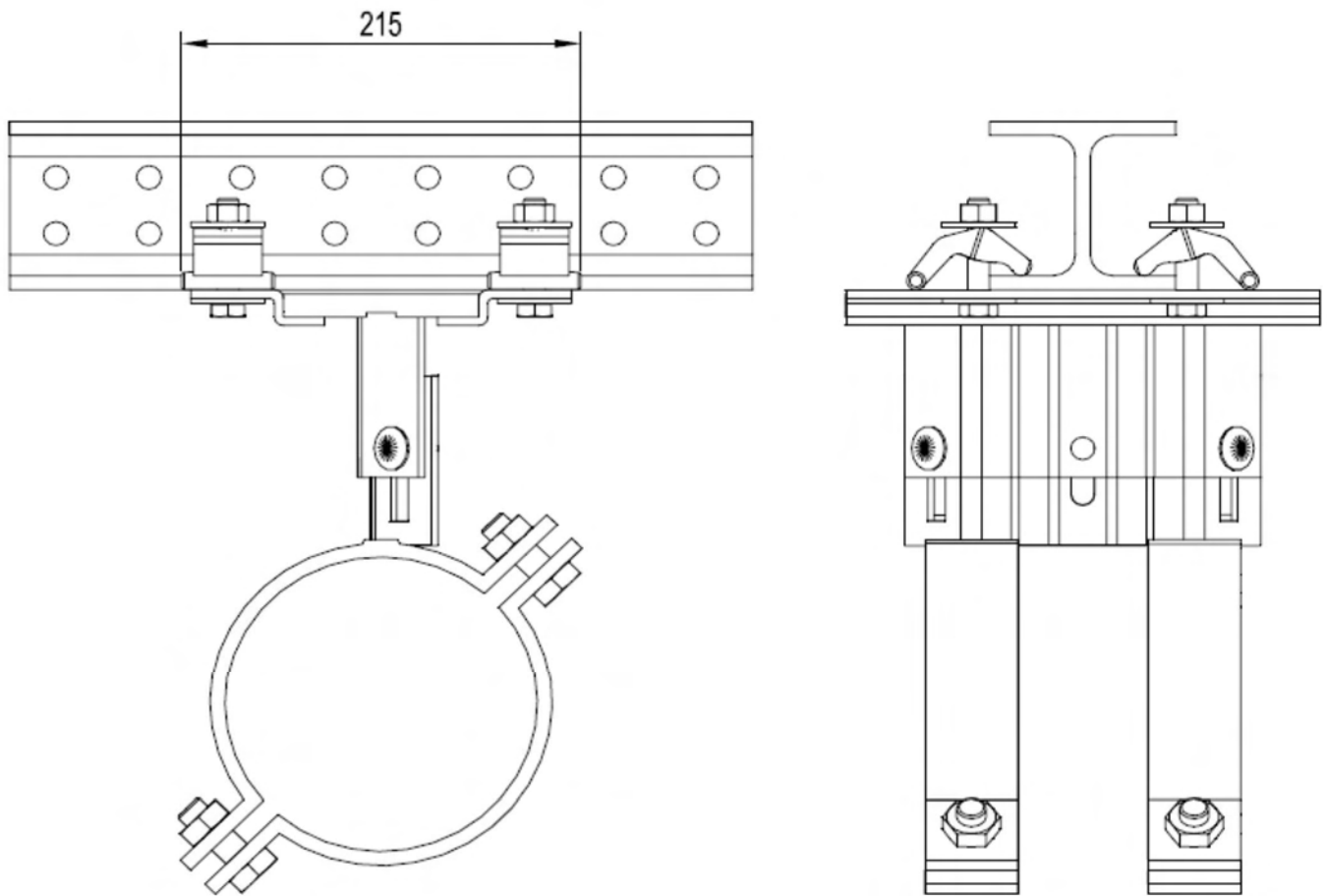
Material:

Metal parts Steel, HCP
 Grub screws, nuts: Steel, HCP
 Clamping hooks: Cast iron, HCP

Type	for flange width [mm]	W [kg]	Qty. [set]	Part Number
XS 80/120	80 - 120	2,3	1	110357
XS 140/160	140 - 160	2,4	1	110358
XS 180/220	180 - 220	2,4	1	110359
XS 240/260	240 - 260	2,5	1	110360
XS dm 280/300	280 - 300	3,0	1	110361

Pipe Shoes

Guiding Set FS Z



Guided Set FS Z

Material:

Metal parts: Steel, HCP

Grub screws, nuts: Steel, HCP

Type	for flange width [mm]	W [kg]	Qty. [set]	Part Number
FS Z 80/120	80 - 120	3,6	1	110398