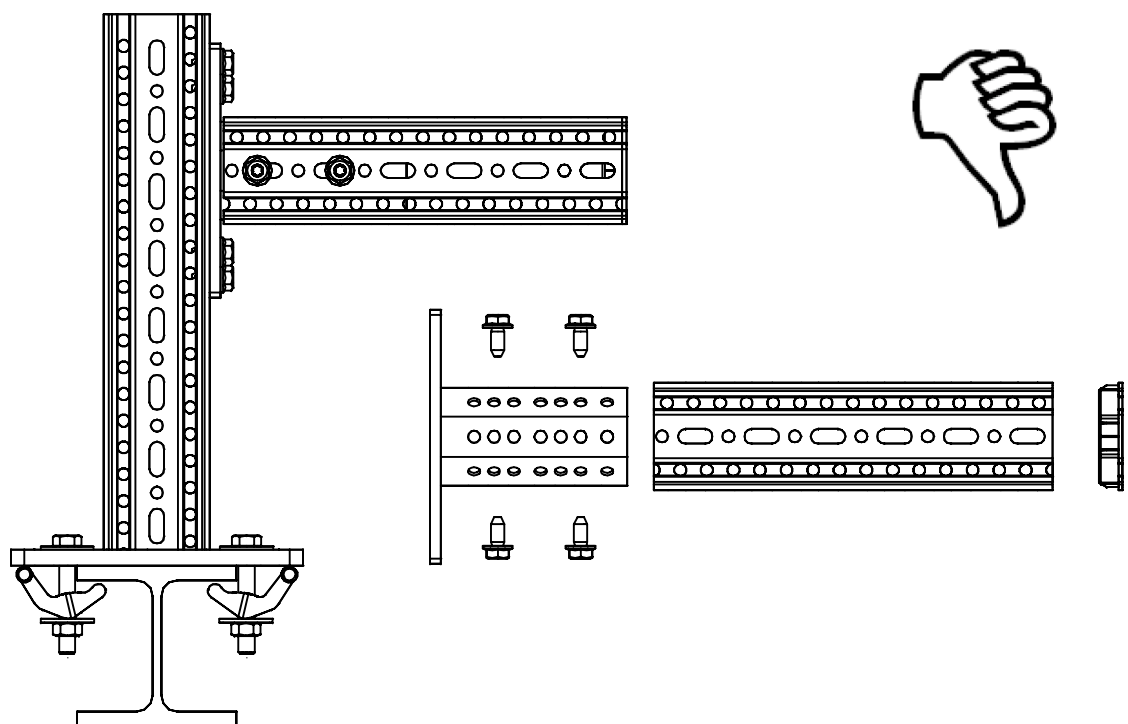
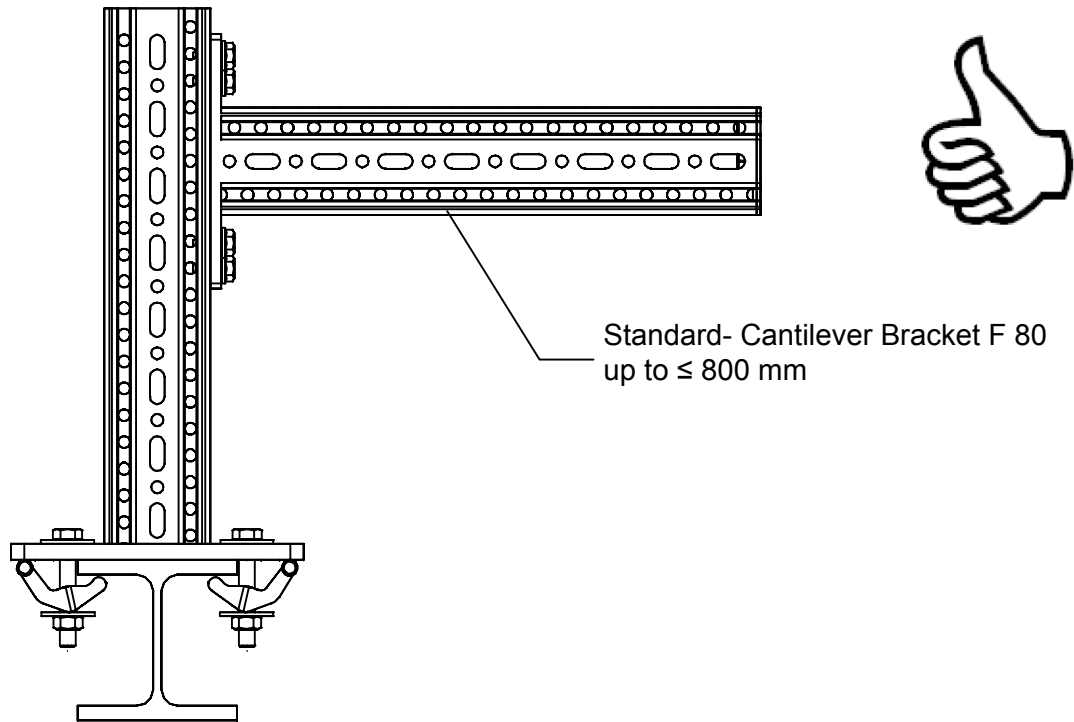
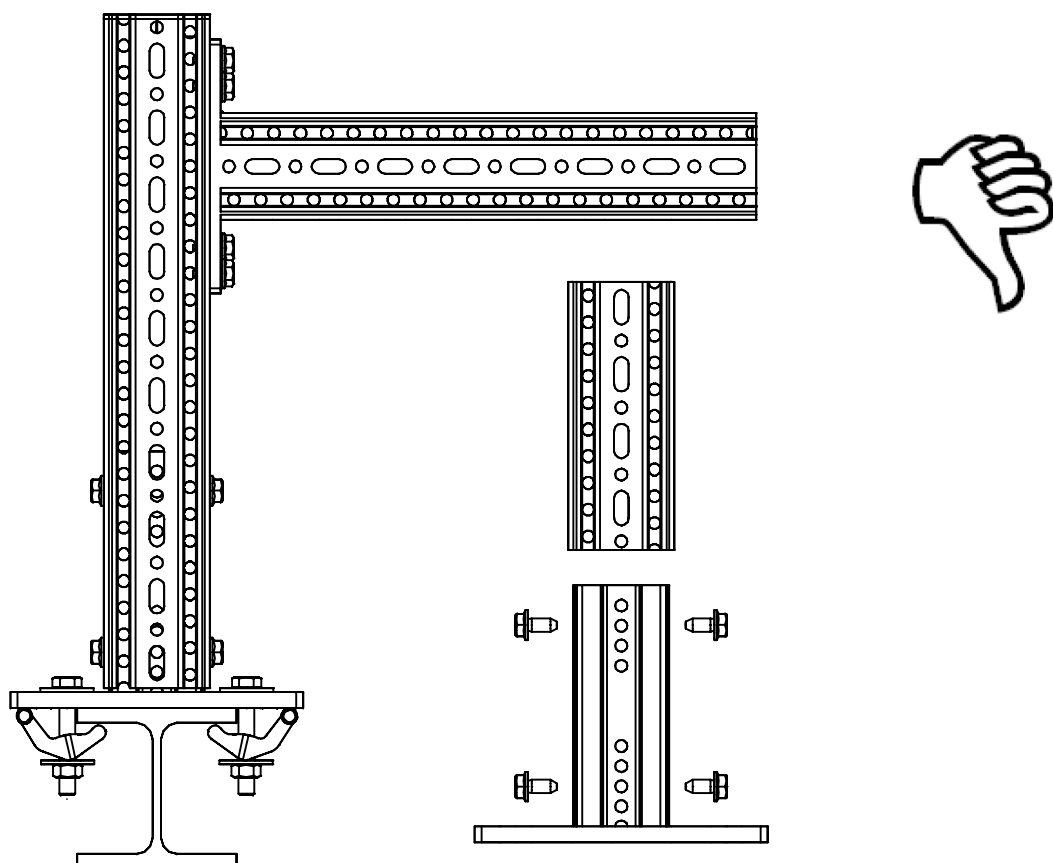
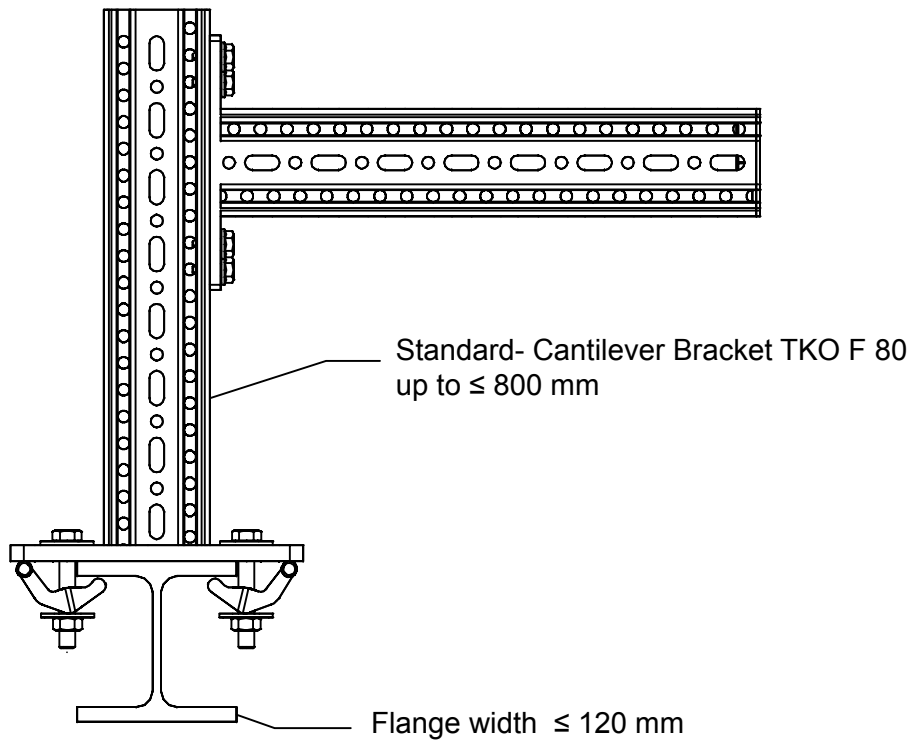


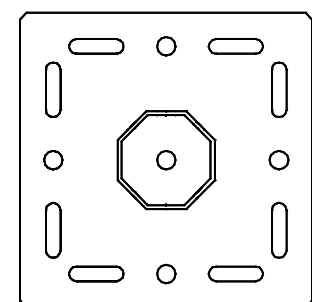
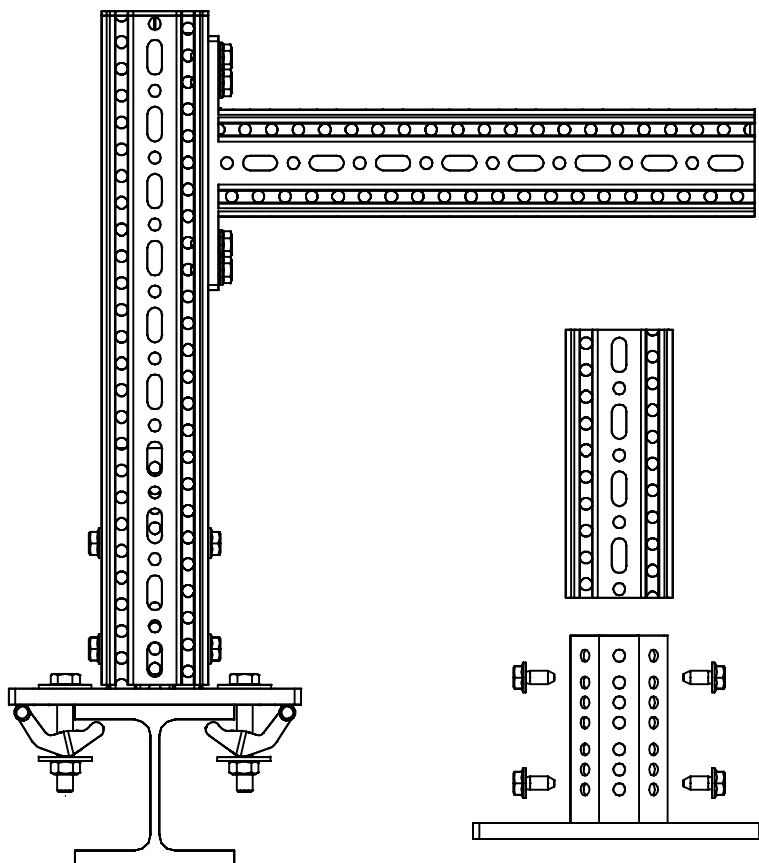
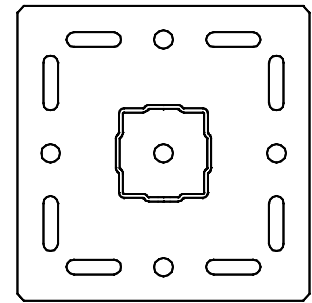
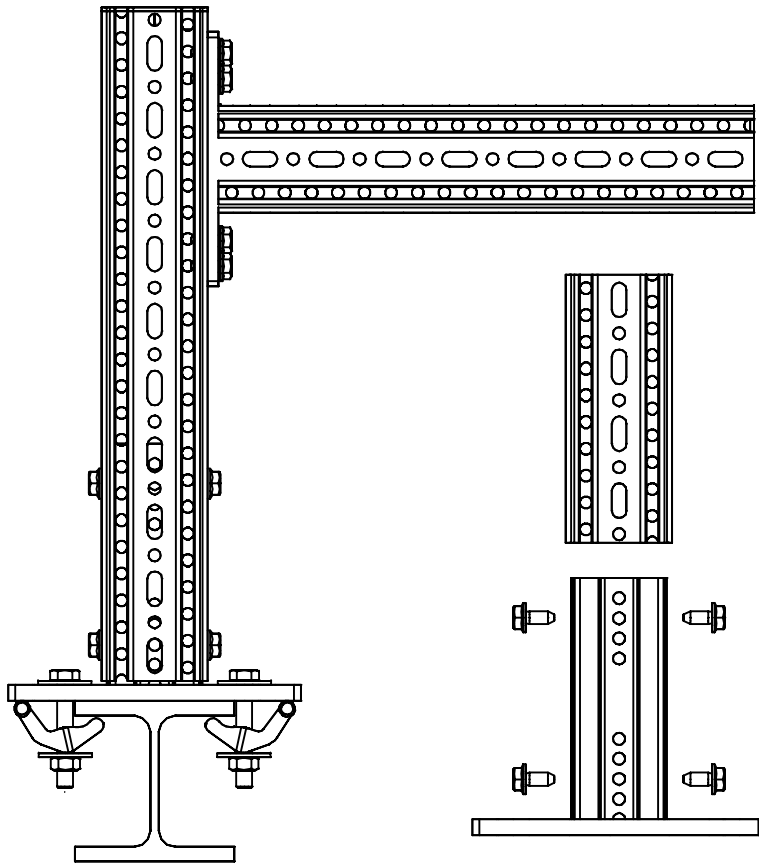
## Cantilever Bracket AK F 80



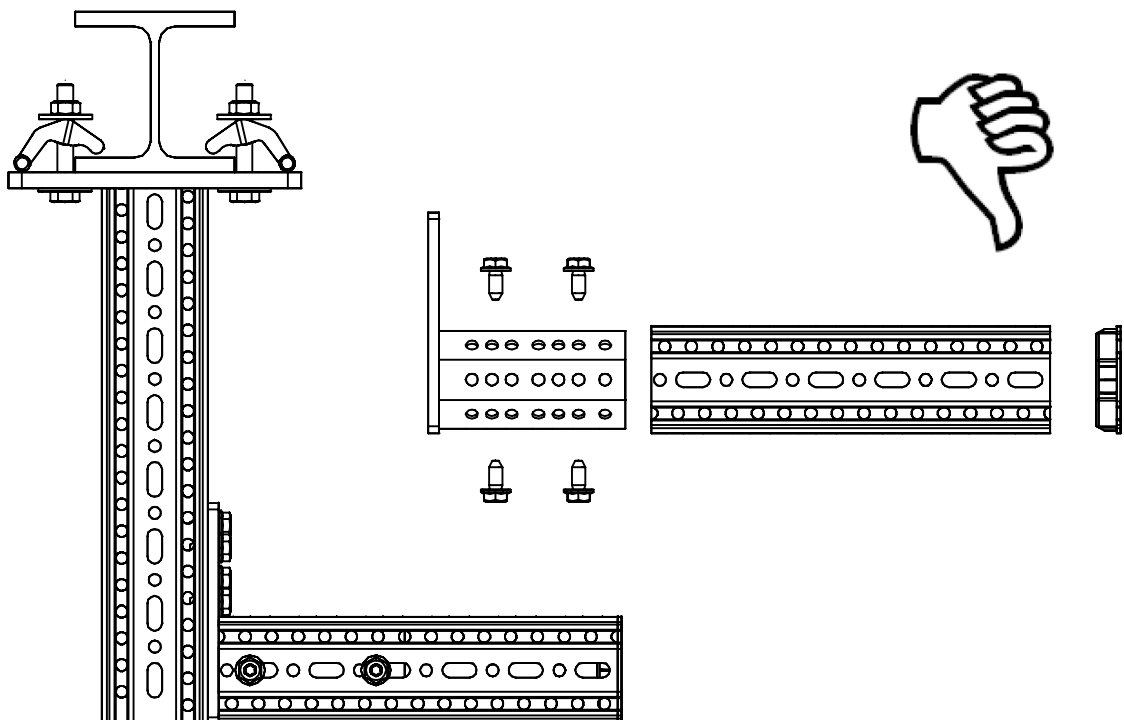
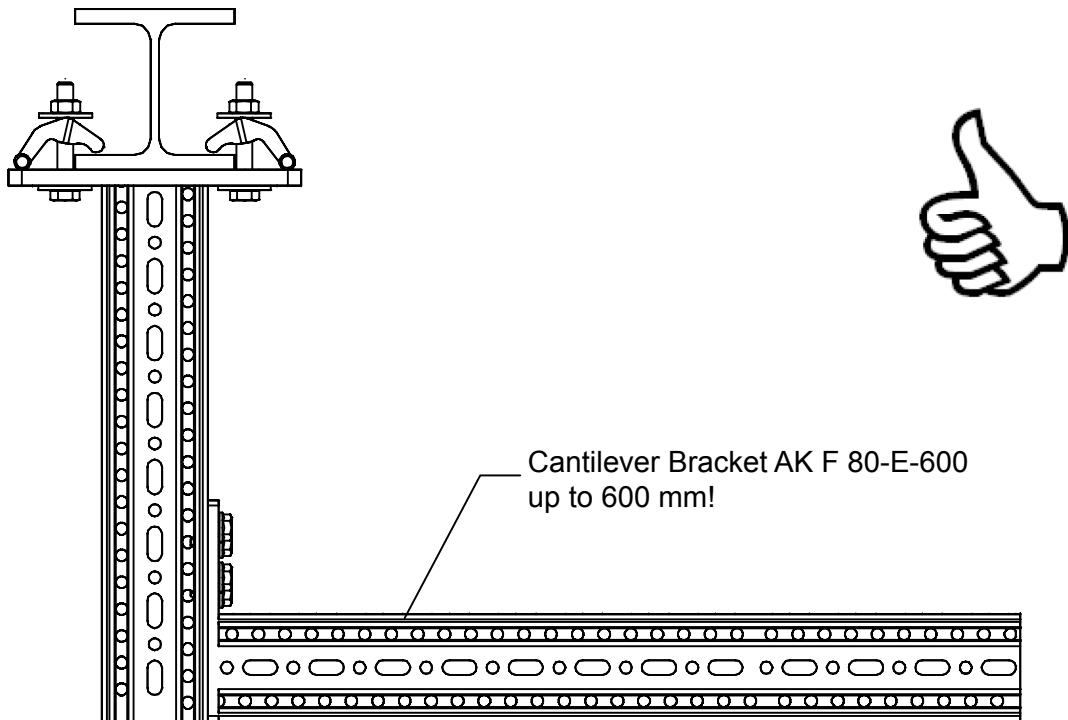
## BeamBracket TKO F 80



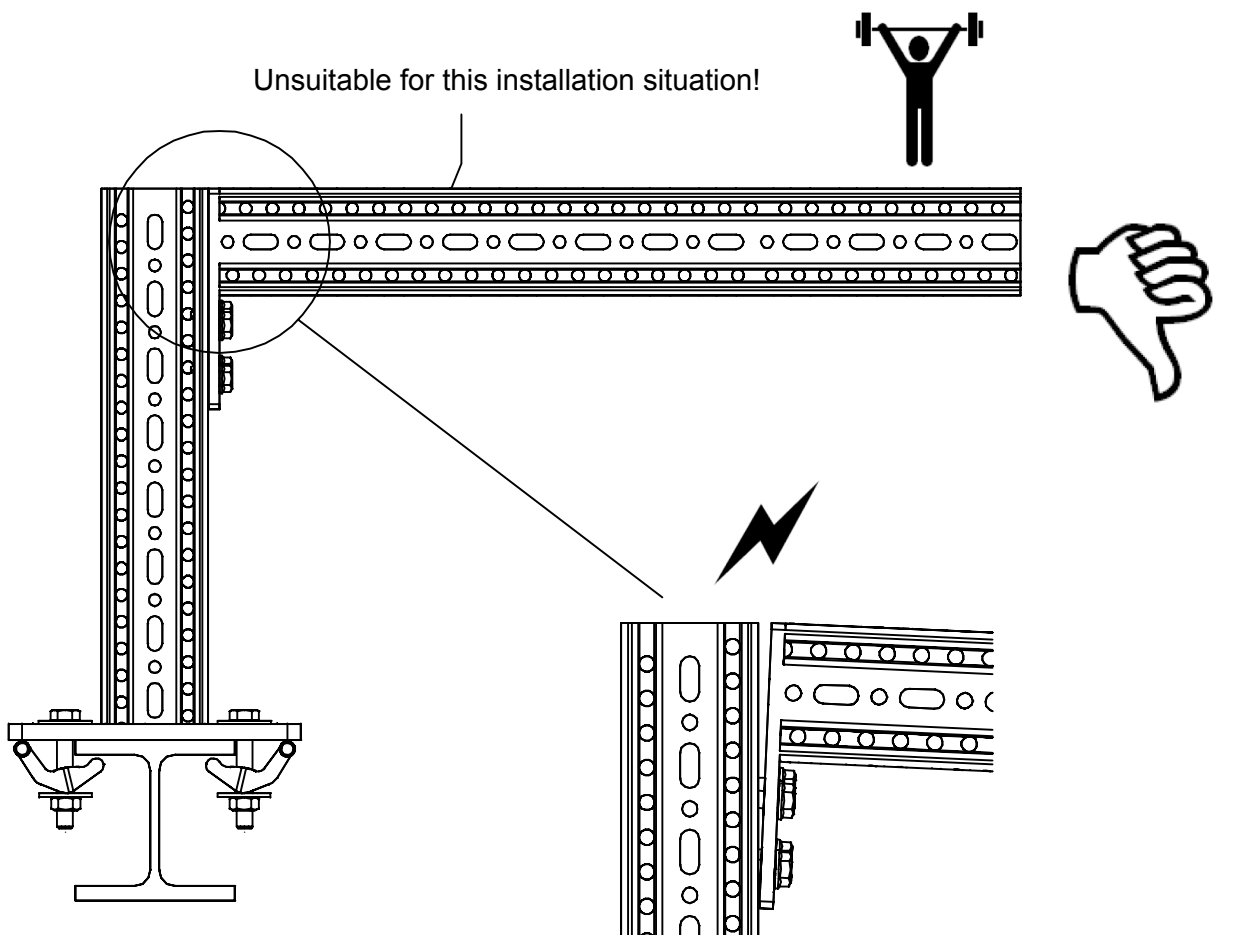
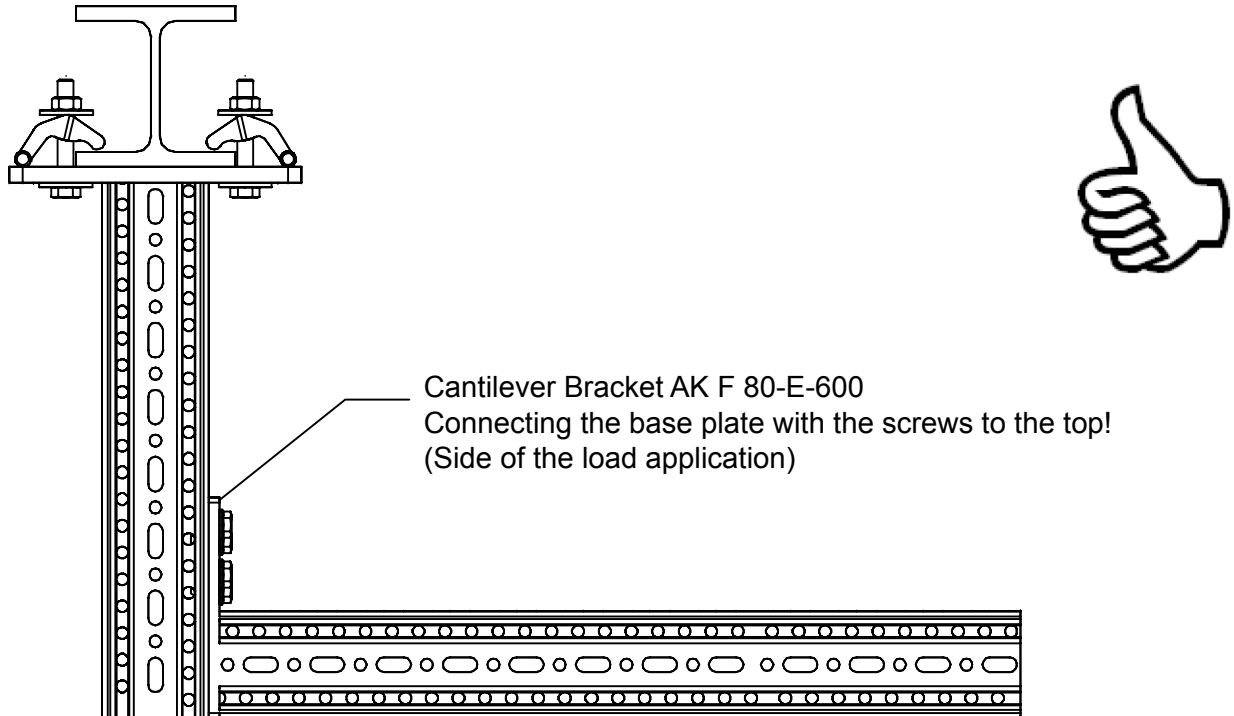
## End Support WBD F 80 - 80/120



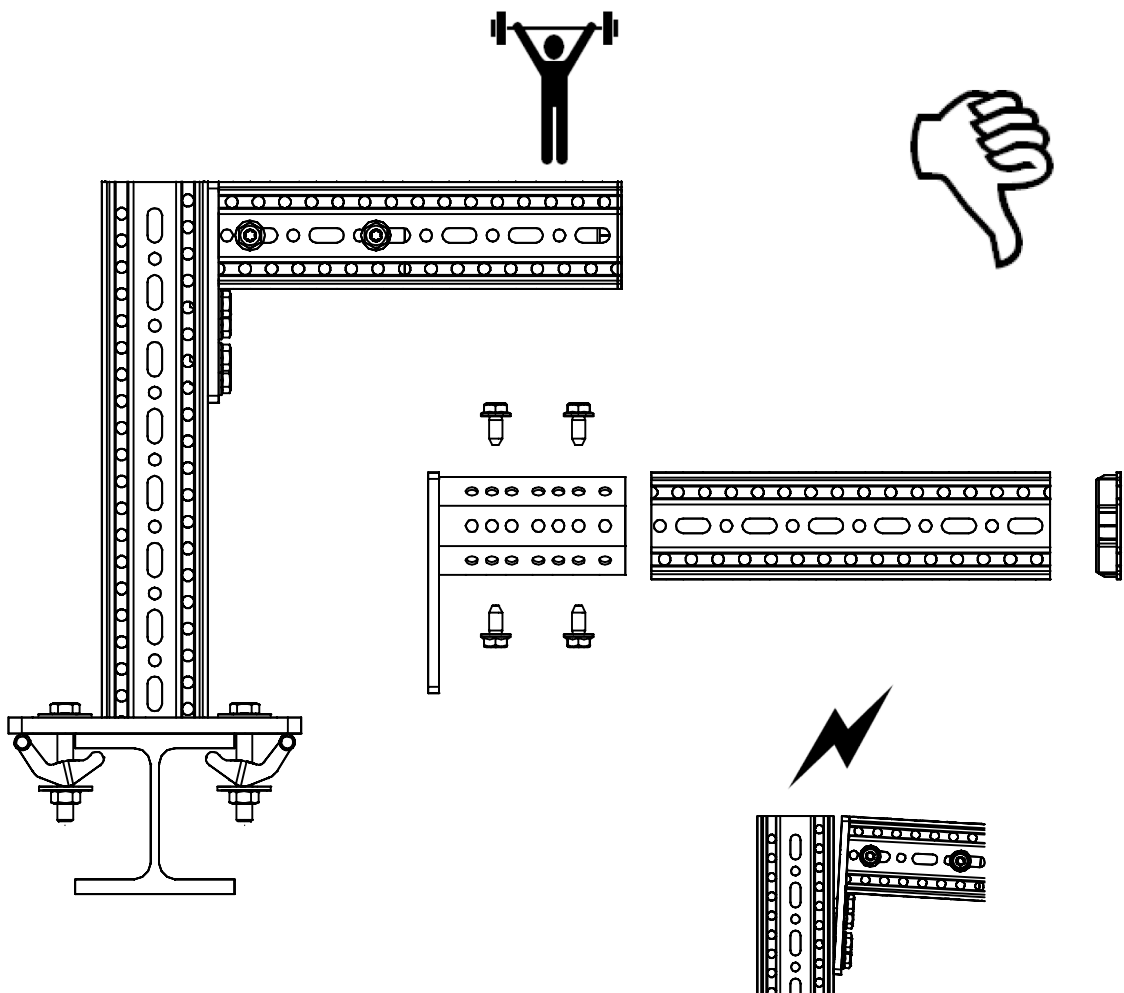
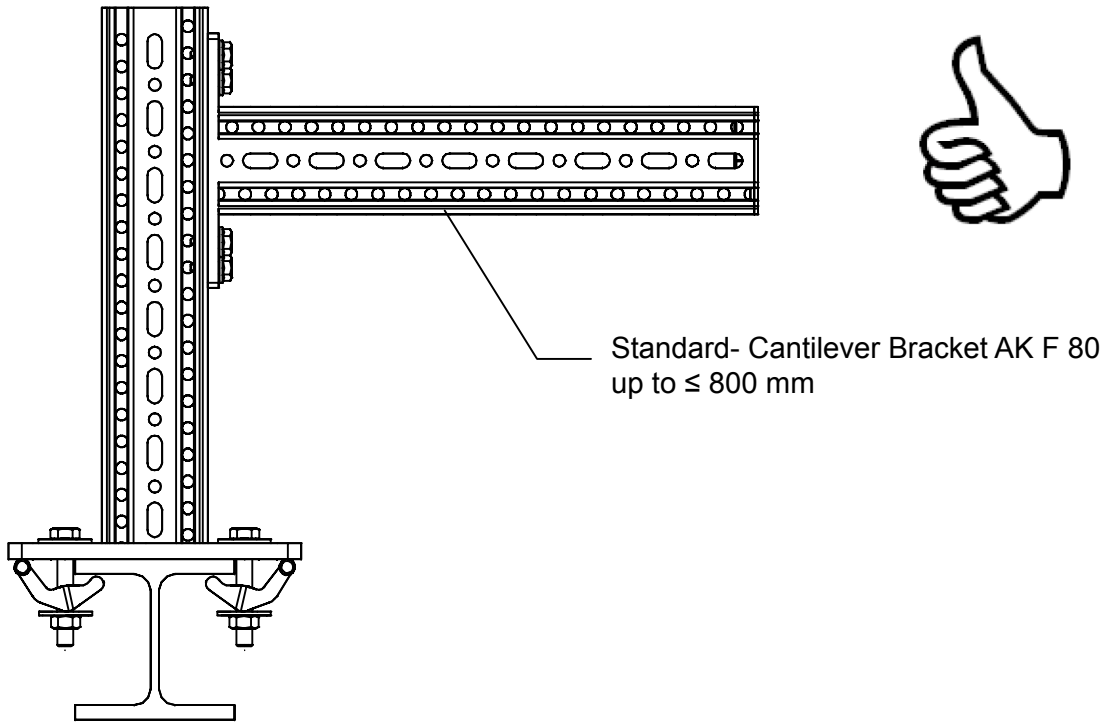
## Cantilever Bracket AK F 80-E-600



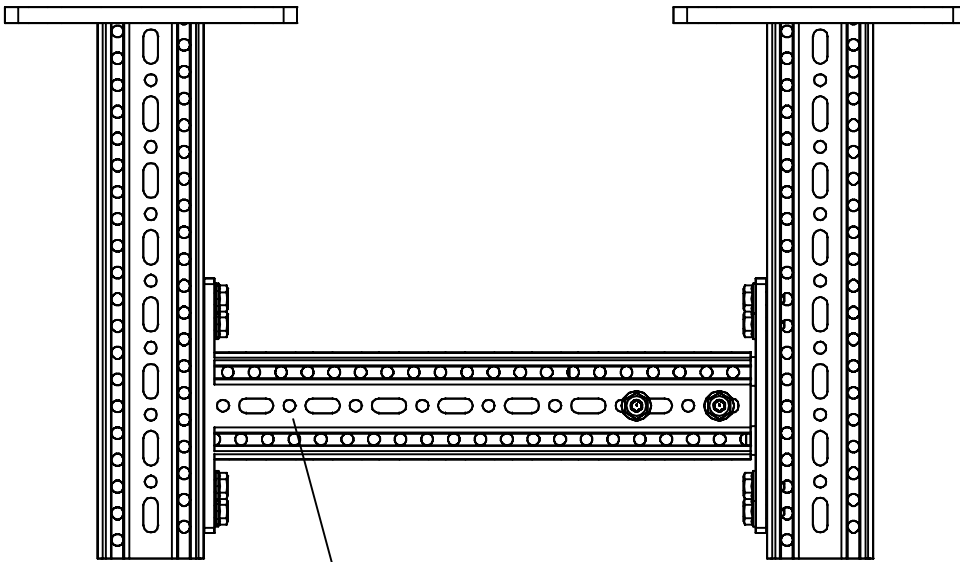
## Cantilever Bracket AK F 80-E-600



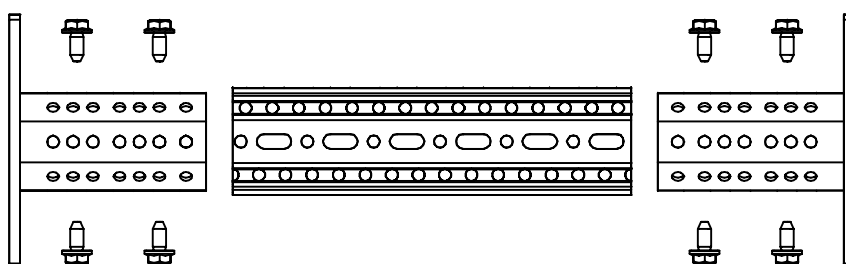
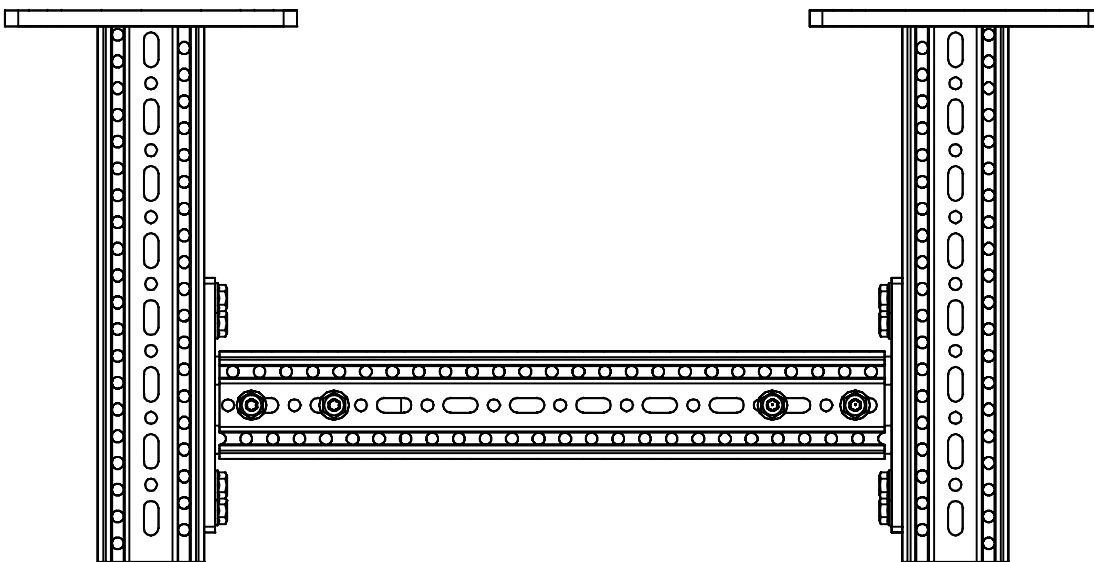
## Cantilever Bracket AK F 80



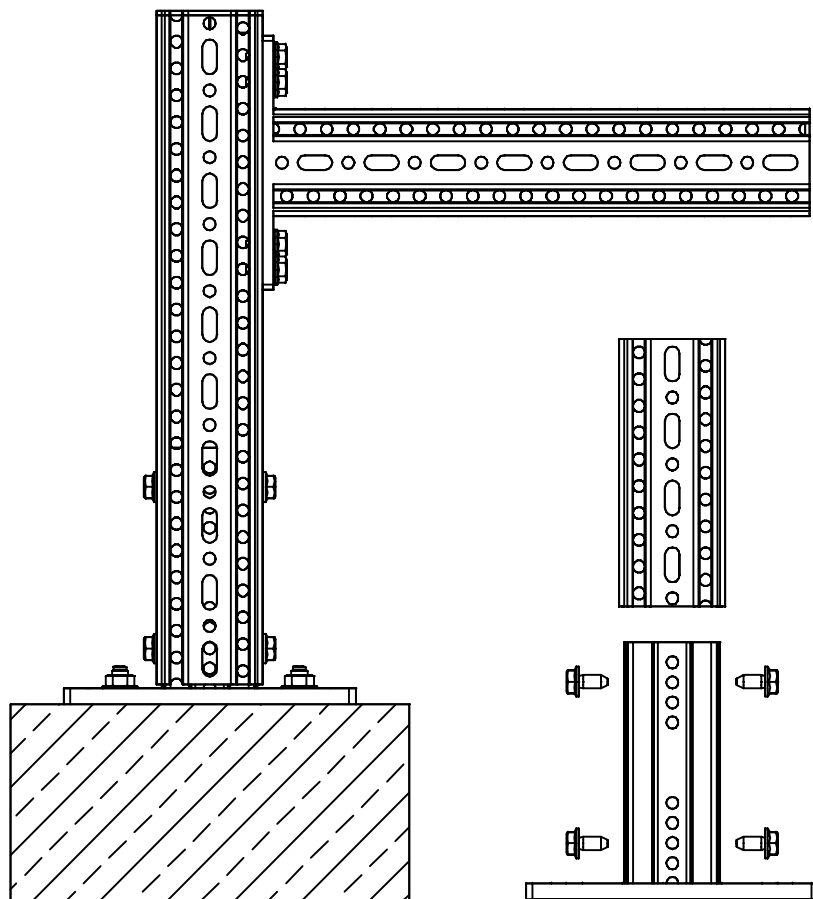
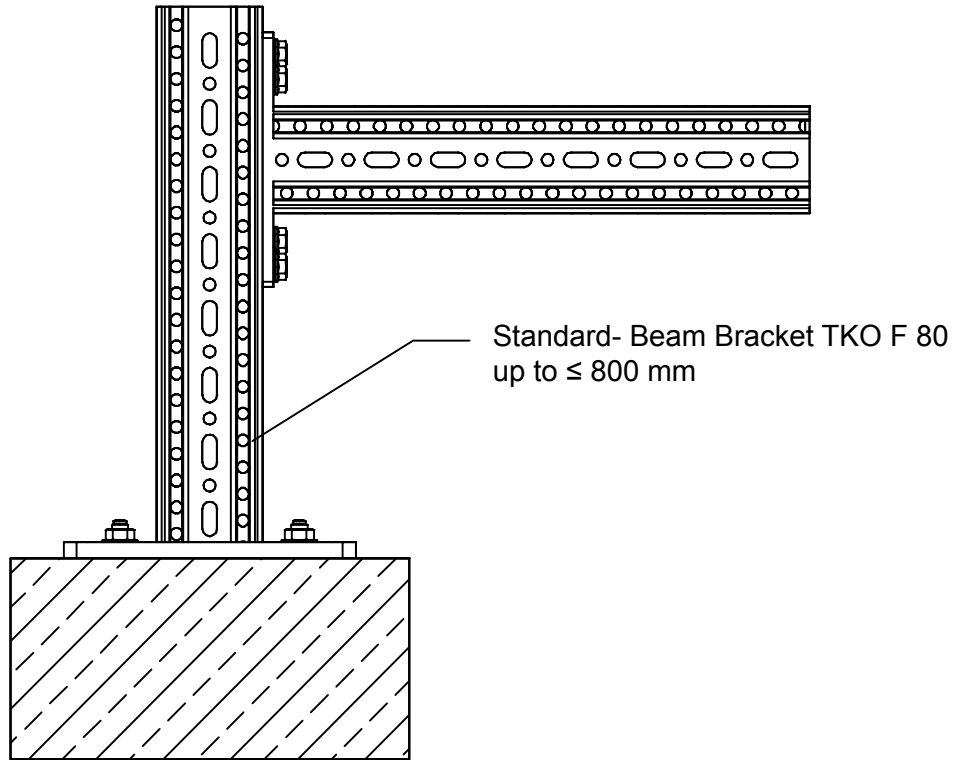
## Cantilever Bracket AK F 80 + End Support STA F 80



Standard- Cantilever Bracket AK F 80 + End Support STA F 80  
up to  $\leq 800$  mm



## Beam Bracket TKO F 80 on Betong





## End Support WBD F 80-80/120 on Betong

